

T-5210 Pneumatic Temperature Transmitter

Features

- Ball type control port for increased accuracy
- New lever with reinforced edges for increased linearity
- New bimetal element to compensate for ambient temperature effect
- Integral hypodermic needle test point

The T-5210 Pneumatic Temperature Transmitter is designed to measure a temperature and convert this measurement to an air pressure signal that is transmitted to a pneumatic receiver, controller, or receiver-indicator. When used with a Dewcel® (purchased locally), the T-5210 can also be used as a dew point transmitter.

Pneumatic feedback is incorporated into the transmitter design to provide an exact proportional relationship between the measured temperature and the transmitted signal.

Various models are furnished with appropriate brackets for mounting to ductwork, walls, or directly to the hub of a duct flange or separable well.

Mounting

The T-5210 operates in any position and should be mounted on a rigid flat surface. The instrument requires a .007 in. restricted supply.

Transmitters with averaging elements or bulb elements with

4 ft (122 cm) capillaries are furnished with a sheet metal bracket for surface mounting using #8 sheet metal screws. Using the bracket as a template, mark the two mounting hole locations and drill a 1/8 in. hole at each of the marked positions. Transmitters with bulb elements and 5-1/2 in. (140 mm) capillaries are furnished with an angle bracket for mounting on the hub of a duct flange or separable well. The T-5210 is secured to the flange or well by tightening the spring locknut furnished with the well or flange.

Note: When inserting the bulb into a well other than a Johnson Controls well, fill it one third full of thermal conductive material (F-1000-182) and insert the bulb until it hits the bottom of the well.



**Fig. 1: T-5210
Pneumatic Temperature
Transmitter**

Repair Information

Field repairs must not be made. For a replacement T-5210, contact the nearest Johnson Controls branch office. Replacement covers are available, order T-5210-602.

Specifications

Product	T-5210 Pneumatic Temperature Transmitter
Action	Direct - Proportional
Models & Operating Ranges	See Table 1
Element Styles (Liquid Filled)	Bulb Type and Averaging (See Table 1)
Transmitter Output Pressure Range	3 to 15 PSIG (21 to 105 kPa)
Air Consumption and Output Flow Capacity	45 SCIM (12 mL/s) with .007 in. Restrictor
Supply Pressure	20 PSIG (140 kPa) Nominal, 25 PSIG (175 kPa) Maximum Air Supply Must Be Clean, Dry, and Oil Free
Mounting	With Appropriate Bracket Furnished
Air Connection	1/8 in. NPT Barbed Fitting for 5/32 or 1/4 in. O.D. Poly tubing
Ambient Temperature Limits	-20 to 150°F (-29 to 66°C)
Accessories (Order Separately)	See Table 2

The performance specifications are nominal and conform to acceptable industry standards. For application at conditions beyond these specifications consult the local Johnson Controls office. Johnson Controls, Inc. shall not be liable for damages resulting from misapplication or misuse of its products.

Table 1: Operating Ranges and Element Limits

T-5210 -Suffix	Shipping Weight lb*	Operating Temperature Range**	Element Temperature Limits**	Element Style
-1001	1.2	50 to 100°F		
-2002	1.2	0 to 100°C		
-2003	1.2	-15 to 35°C	-40 to 230°F	
-1002	1.2	0 to 100°F		
-1004	1.2	40 to 240°F		
-1008	1.2	50 to 150°F	40 to 310°F	Copper Bulb with 5-1/2 in. (140 mm) Copper Capillary
-1123	1.2	60 to 85°F		
-2001	1.2	10 to 35°C	0 to 135°F	
-1125	1.2	40 to 65°F		
-1113	1.2	-40 to 160°F		
-2004	1.2	-40 to 60°C		
-1144	1.3	-20 to 80°F	-40 to 230°F	Copper Bulb with 4 ft. (1.2 m) Copper Capillary
-1114	1.3	0 to 100°F		
-2005	1.3	-15 to 35°C		
-1151	1.3	20 to 120°F		
-1135	1.3	200 to 400°F	170 to 440°F	
-1007	1.4	50 to 150°F		
-1006	1.4	40 to 240°F	0 to 270°F	
-1009	1.4	0 to 100°F		
-1124	1.4	40 to 65°F		8 ft. (2.4 m) Copper Averaging Element with 1 ft. (305 mm) Copper Capillary
-2006	1.4	0 to 50°C	0 to 135°F	
-2007	1.4	-15 to 35°C		
-1150	1.4	20 to 120°F	0 to 270°F	
-1005	1.4	50 to 100°F		
-1116	1.4	50 to 150°F		
-1118	1.4	0 to 100°F	0 to 270°F	17 ft. (5.2 m) Copper Averaging Element with 1 ft. (305 mm) Copper Capillary
-2008	1.4	-15 to 35°C		
-145	1.3	0 to 100°F	-40 to 230°F	Stainless Steel Bulb with 15 ft. (4.6 m) Stainless Steel Capillary
-146	1.3	-40 to 160°F		
-147	1.4	0 to 100°F	-40 to 230°F	8 ft. (2.4 m) Stainless Steel Averaging Element with 15 ft. (4.6 m) Stainless Steel Capillary
-148	1.4	40 to 240°F	40 to 310°F	

* lb x 0.454 = kg

** Temperature Conversion Guide:

$$^{\circ}\text{C} = (^{\circ}\text{F} - 32) \div 1.8$$

$$^{\circ}\text{F} = (1.8 \times ^{\circ}\text{C}) + 32$$

**Table 2: Accessories
(Order Separately)**

Description	Shipping Weight lb*	Code Number
Bulb Holder	.05	T-275-100
Averaging Element Holder	.01	T-275-101
Single Hub Duct Flange	.13	T-800-1603
Double Hub Duct Flange	.75	T-800-1604
Brass Well; 6-1/2 in.	1.2	T-800-1605
Stainless Steel Well; 5-1/4 in.	1.2	T-800-1606
Bulb Element Adapter Nut 1/2 in. NPT	.20	T-800-1610
Brass Well; 9-1/2 in.	1.7	T-800-1618
Stainless Steel Well; 8-1/4 in.	1.5	T-800-1620
Dual Brass Well; 6-1/2 in.	1.7	T-800-1624
Sheet Metal Bracket	.05	T-5210-129
Dewcel® Adapter Kit	.13	T-5210-138
Bulb Weather Shield (Order from CPD)	.05	SHL10A-603R
.007 in. Restrictor Aqua Color	.01	R-3710 Series

* lb x 0.454 = kg

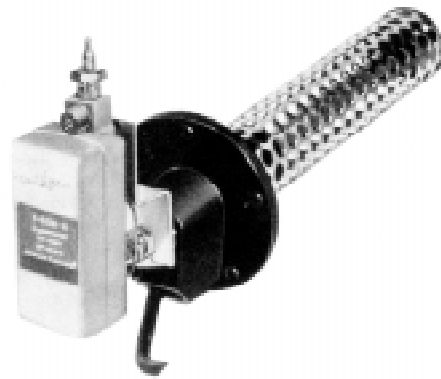


Fig. 2: T-5210 with Dewcel® Element

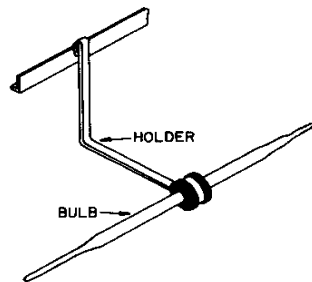


Fig. 3: T-275-100 Bulb Element Holder

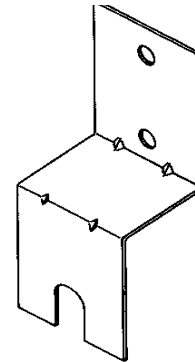


Fig. 4: T-5210-129 Sheet Metal Bracket

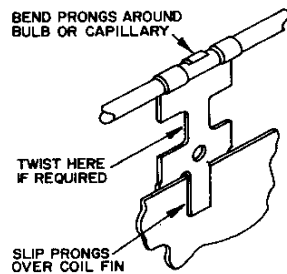


Fig. 5: T-275-101 Averaging Element Holder

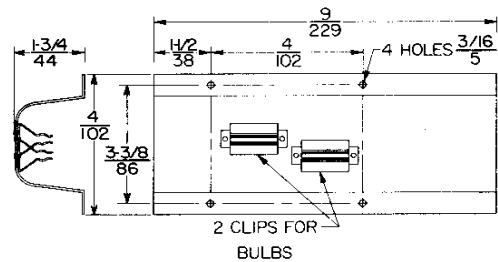


Fig. 6: SHL10A-603R Bulb Weather Shield
Dimensions $\frac{\text{In.}}{\text{mm}}$

Dimensions $\frac{\text{in.}}{\text{mm}}$

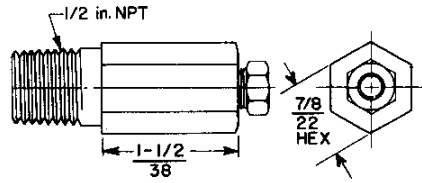


Fig. 7: T-800-1610 Adapter Nut

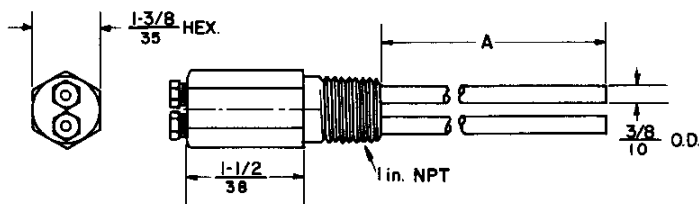


Fig. 8: Dual Brass Well (See Table 3)

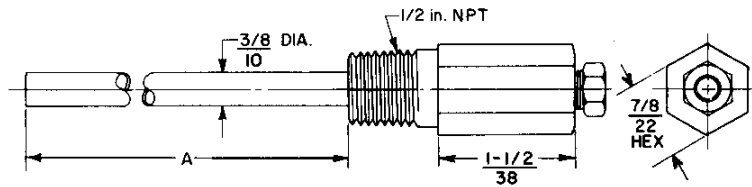


Fig. 9: Single Brass Well (See Table 3)

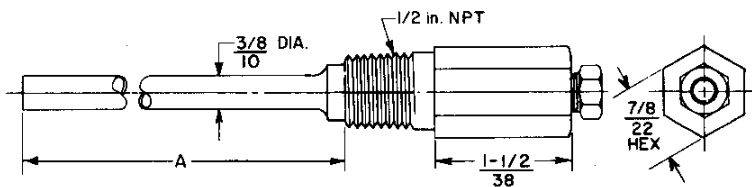


Fig. 10: Stainless Steel Well (See Table 3)

Table 3: Well Dimensions and Application

Dual Brass	Single Brass	Stainless Steel	Dim. "A" $\frac{\text{in.}}{\text{mm}}$		Temperature Span
			Brass	Stainless Steel	
—	T-800-1618	T-800-1620	$\frac{9-1/2}{241}$	$\frac{8-1/4}{210}$	25F° & 50F° or 14C° & 28C°
T-800-1624	T-800-1605	T-800-1606	$\frac{6-1/2}{165}$	$\frac{5-1/4}{133}$	100F° & 200F° or 56C° & 111C°

Dimensions $\frac{\text{in.}}{\text{mm}}$

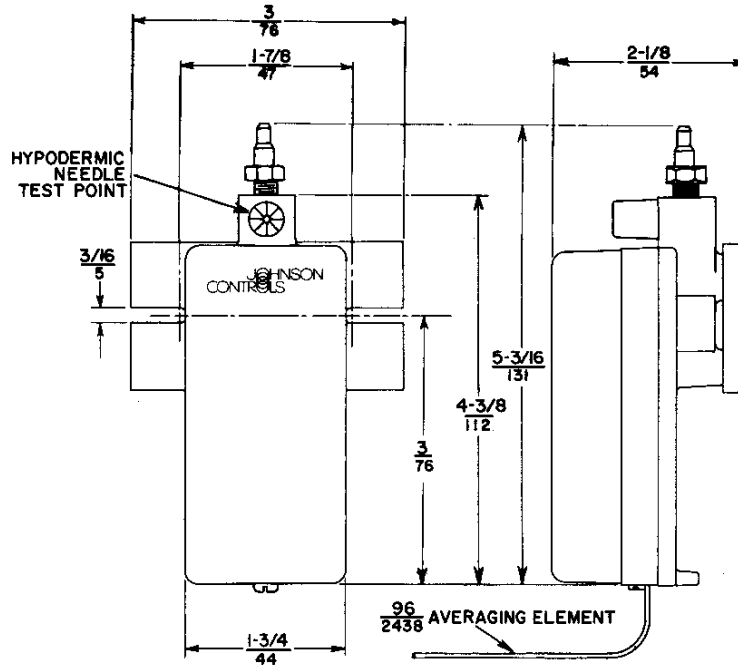


Fig. 11: T-5210 with Averaging Element

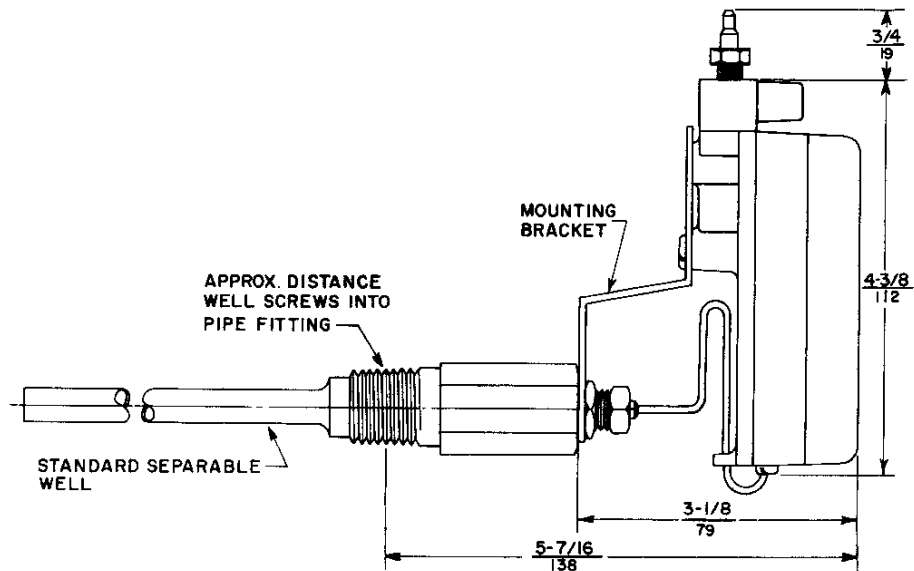


Fig. 12: T-5210 with Bulb Element and Well

Dimensions $\frac{\text{in.}}{\text{mm}}$

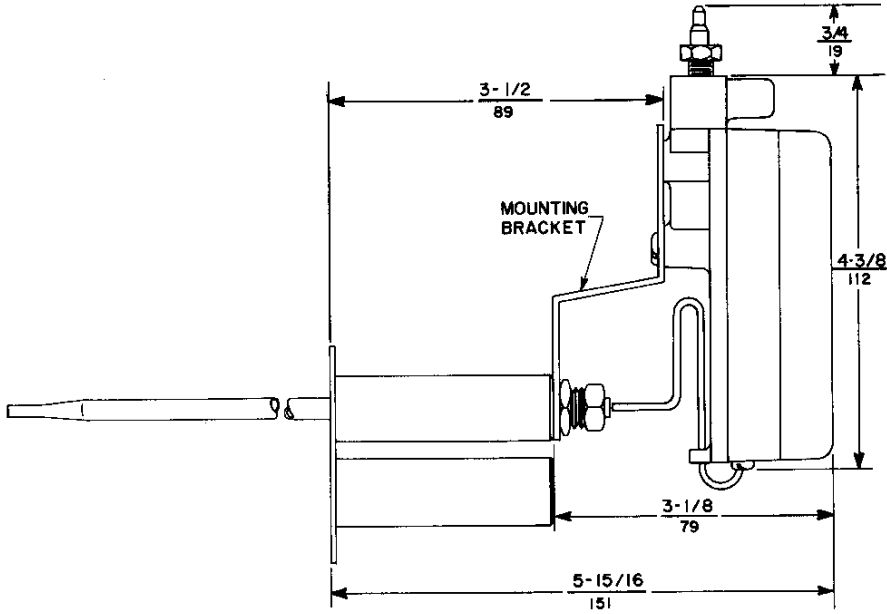


Fig. 13: T-5210 with Bulb Element and Duct Flange

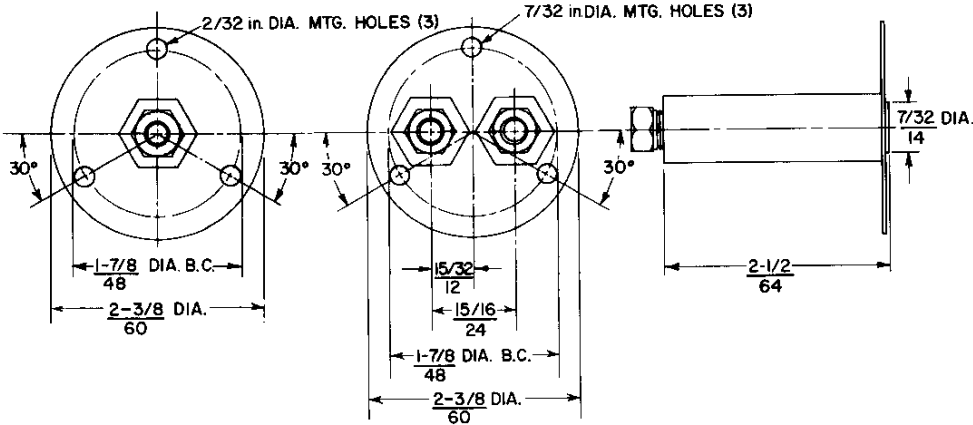


Fig. 14: T-800-1603 (Single Hub) & T-800-1604 (Double Hub) Duct Flange

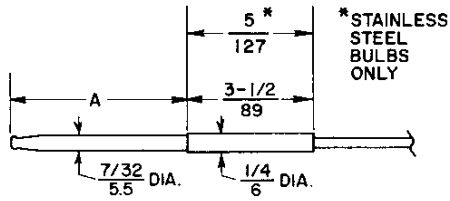


Fig. 15: Bulb Element Dimensions $\frac{\text{in.}}{\text{mm}}$
(See Table 4)

Table 4: Bulb Element Dimensions

T-5210 -Suffix	Dim. "A" (Nominal) $\frac{\text{in.}}{\text{mm}}$	Usable Wells T-800 -Suffix
-1123	5-1/2 140	-1618
-1125		-1620
-2001		
-2002		
-2003		
-1001	3-15/16 100	-1605
-1002		-1606
-1004		-1624
-1008		
-1113		
-1114		
-1144		
-1151		
-2004		
-2005		
-1135	4-1/8 105	
-145 (Stainless)	4	-1618
-146 (Steel Bulbs)	102	-1620

Application and Drawing Identification

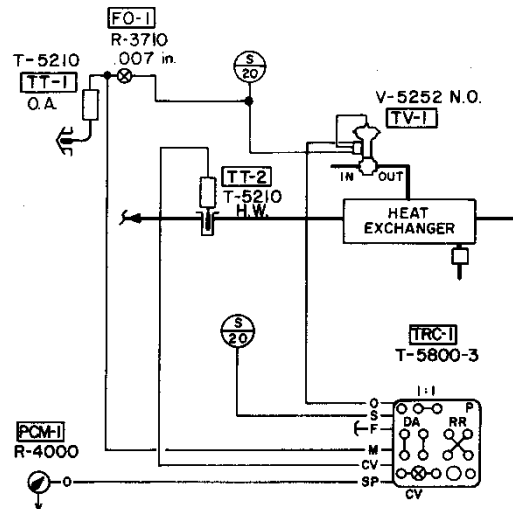
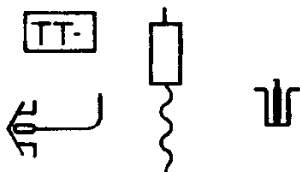


Fig. 16: T-5210s used in Hot Water Reset Application

