

SGVL Schneider Globe Valve Linkage

For Use with LV and SV Series Actuators



| Technical Data | |
|--------------------------|--|
| Media | chilled or hot water and steam |
| Applicable Valve Size | 1/2" [13], 3/4" [19], 1" [25], 1-1/4" [32], 1-1/2" [38], 2" [50] |
| Hardware | SS and Nickel plated steel |
| Stem Adaptor | steel |
| Frame, plate, base | aluminum |
| Collar | aluminum (fits VB7 1/2" to 2" /VB9 1/2"-1-1/4" valves) also fits post 1994 1-1/2" to 2" valves |
| Coupling | GF Nylon supplied |
| Stroke | 0.95" [24 mm] |
| Mounting Position | 360° |
| Weight | 1.1 lb [0.50 kg] |
| Media Temp Range (water) | Please Refer to Manufacturer's Valve Specifications |

For close-off pressure reference Select Pro or Retrofit Technical Documentation.

Application

Operation

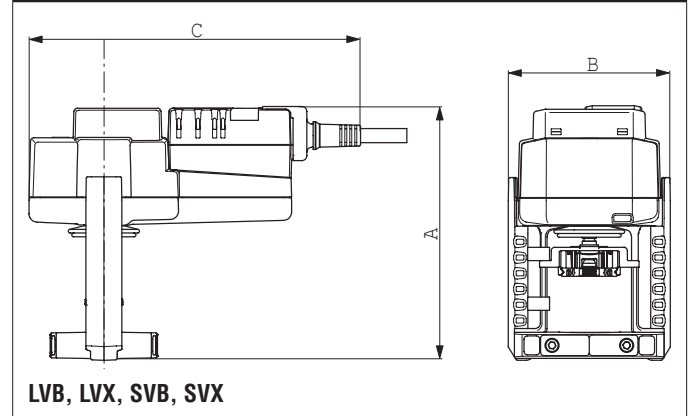
Default/Configuration

The default set up for a SGVL linkage will be factory installed along with a LV or SV series actuator. Included in the kit will be all the necessary hardware to facilitate mounting to the Schneider valve.

Suitable Actuators

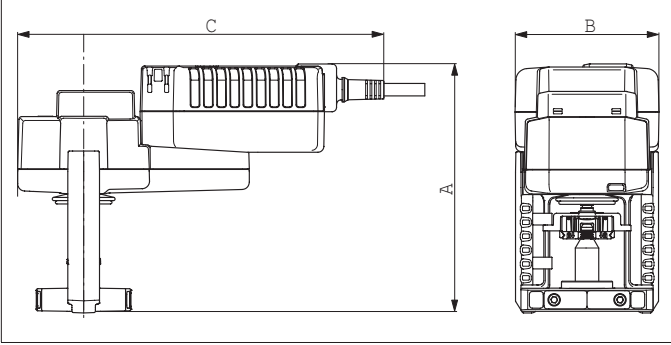
| | Non-Spring | Electronic fail-safe |
|------|----------------|----------------------|
| SGVL | LVB(X), SVB(X) | LVKB(X), SVKB(X) |

Dimensions (Inches [mm])



| A | B | C |
|----------|-----------|------------|
| 6" [152] | 3.8" [97] | 7.9" [201] |

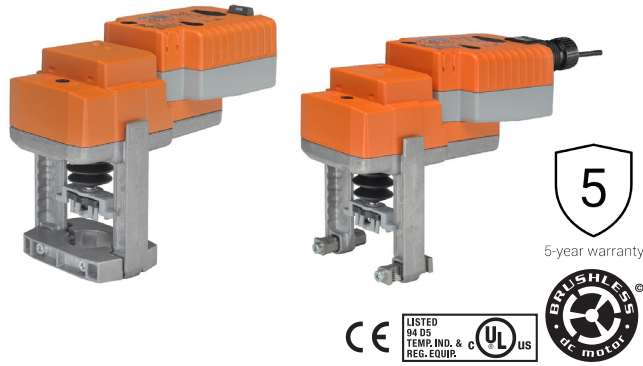
Dimensions (Inches [mm])



| A | B | C |
|------------|-----------|------------|
| 6.7" [171] | 3.8" [97] | 8.1" [206] |

SVKB24-SR Technical Data Sheet

Modulating, Electronic Fail-Safe, Linear, 24 V



| Technical Data | |
|------------------------------------|---|
| Power Supply | 24 VAC, ±20%, 50/60 Hz, 24 VDC, ±10% |
| Power consumption in operation | 3 W |
| Power consumption in rest position | 2 W |
| Transformer sizing | 7 VA (class 2 power source) |
| Electrical Connection | 18 GA plenum cable, 3 ft [1 m], with 1/2" conduit connector, degree of protection NEMA 2 / IP54 |
| Overload Protection | electronic throughout full stroke |
| Electrical Protection | actuators are double insulated |
| Operating Range | DC 2...10 V, 4...20 mA w/ ZG-R01 (500 Ω, 1/4 W resistor) |
| Input Impedance | 100 kΩ for DC 2...10 V (0.1 mA), 500 Ω for 4...20 mA |
| Position Feedback | DC 2...10 V |
| Stroke | 0.75" [19 mm] |
| Actuating force motor | 340 lbf [1500 N] |
| Direction of rotation motor | reversible with switch |
| Direction of motion fail-safe | reversible with switch |
| Position indication | Mechanically, with pointer |
| Manual override | 4 mm hex crank (shipped w/actuator) |
| Running Time (Motor) | 90 s constant, independent of load |
| Running time fail-safe | <35 s |
| Bridging time | 2 s delay before fail-safe activates |
| Pre-charging time | 5...20 s |
| Ambient humidity | max. 95% r.H., non-condensing |
| Ambient temperature | -22...122°F [-30...50°C] |
| Storage temperature | -40...176°F [-40...80°C] |
| Degree of Protection | IP54, NEMA 2, UL Enclosure Type 2 |
| Housing material | Die cast aluminium and plastic casing |
| Agency Listing | cULus acc. to UL60730-1A/-2-14, CAN/CSA E60730-1:02, CE acc. to 2004/108/EC and 2006/95/EC |
| Noise level, motor | 45 dB(A) |
| Noise level, fail-safe | 60 dB(A) |
| Maintenance | maintenance-free |
| Quality Standard | ISO 9001 |
| Weight | 3.53 lb [1.6 kg] |

Safety Notes

WARNING: For Belimo products sold in California: these products do or may contain chemicals which are known to the State of California to cause cancer and or birth defects or other reproductive harms. For more information see www.p65warnings.ca.gov.

† Use flexible metal conduit. Push the listed conduit fitting device over the actuator's cable to butt against the enclosure. Screw in conduit connector. Jacket the actuators input wiring with listed flexible conduit. Properly terminate the conduit in a suitable junction box. Rated impulse Voltage 800V. Type of action 1. Control pollution degree 3.

Wiring Diagrams

✂ INSTALLATION NOTES

- Actuators may also be powered by 24 VDC.
- Only connect common to negative (-) leg of control circuits.
- A 500 Ω resistor (ZG-R01) converts the 4 to 20 mA control signal to 2 to 10 VDC.
- Actuators with plenum cable do not have numbers; use color codes instead.
- Meets cULus requirements without the need of an electrical ground connection.

WARNING! LIVE ELECTRICAL COMPONENTS!
 During installation, testing, servicing and troubleshooting of this product, it may be necessary to work with live electrical components. Have a qualified licensed electrician or other individual who has been properly trained in handling live electrical components perform these tasks. Failure to follow all electrical safety precautions when exposed to live electrical components could result in death or serious injury.

