

# TD/TF/TG Series

## Duct Mounted Temperature Sensors

### Product Overview

TD, TF, and TG temperature sensors monitor the temperature of the air inside a duct. The probe is available in multiple lengths to suit multiple applications. All models have standard resistive outputs compatible with building control systems, and all models are warranted for a period of five years.



### NOTICE

- This product is not intended for life or safety applications.
- Do not install this product in hazardous or classified locations.
- Read and understand the instructions before installing this product.
- Turn off all power supplying equipment before working on it.
- The installer is responsible for conformance to all applicable codes.

If this product is used in a manner not specified by the manufacturer, the protection provided by the product may be impaired. No responsibility is assumed by the manufacturer for any consequences arising out of the use of this material.

### Product Identification

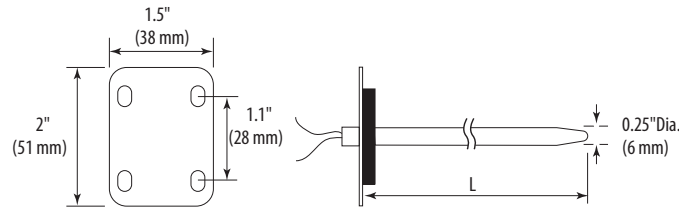
Enclosure	Probe Length	Sensor Type	Output	Cal Certificate
T <input type="checkbox"/>	<input type="checkbox"/>	<input type="checkbox"/>	<input checked="" type="checkbox"/> RØ	<input type="checkbox"/>
D = Duct	B = 4" (102 mm)	B = 100R platinum, RTD	= Resistive	0 = None
F = Duct w/ mounting box	C = 6" (152 mm)	C = 1k platinum, RTD		2 = 3-point NIST calibration
G = Duct w/ water resistant housing	D = 8" (203 mm)	D = 10k T2, Thermistor		
	E = 12" (305 mm)	E = 2.2k, Thermistor		
	F = 18" (457 mm)	F = 3k, Thermistor		
	K = 36" (914 mm)	H = 10k T3, Thermistor		
		I = 1k Balco (Nickel-iron) RTD		
		J = 10k Dale, Thermistor		
		K = 10k w/11k shunt, Thermistor		
		M = 20k NTC, Thermistor		
		N = 1800 ohm, Thermistor		
		T = 100k, Thermistor		
		W = 10k T2 high accuracy, Thermistor		
		Y = 10k T3 high accuracy, Thermistor		

### Specifications

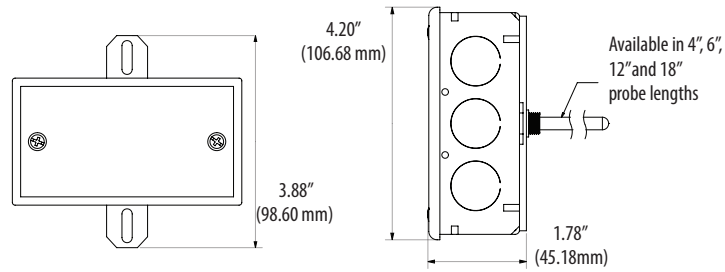
<b>Wiring</b>	22 AWG; 2-wire RTD/Thermistor
<b>Housing</b>	Stainless Steel
<b>Mounting Location</b>	Not suitable for wet locations. For indoor use only.
<b>WARRANTY</b>	
<b>Limited Warranty</b>	5 years
<b>COMPLIANCE INFORMATION</b>	
<b>Agency Approvals</b>	CE

## Dimensions

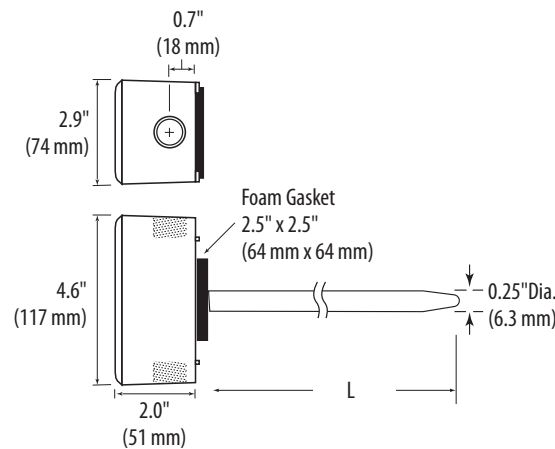
*TD Model*



*TF Model*



*TG Model*



## Installation

1. Drill a 3/8" diameter hole into a duct for the sensor probe.
2. Insert the probe into the duct.
3. Secure the junction box housing (TF/TG) or the mounting flange (TD) to the outer surface of the duct using the self-tapping screws provided.
4. Wire as shown.

