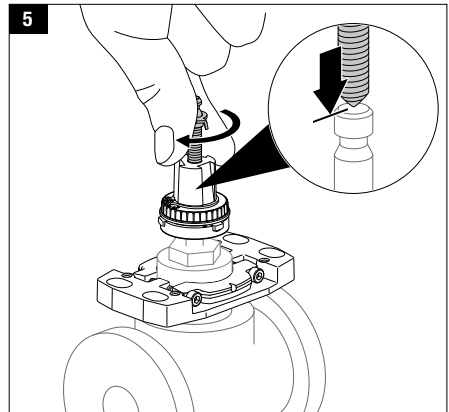
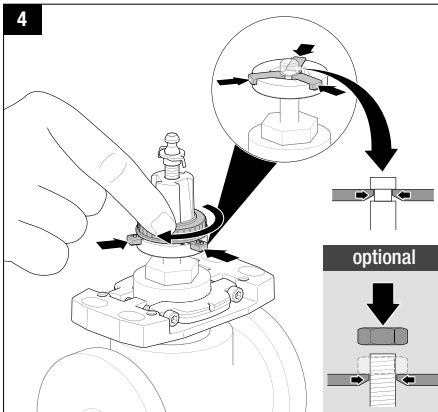
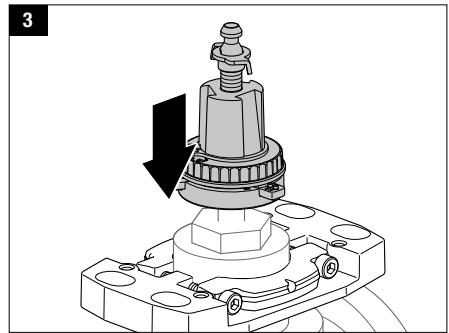
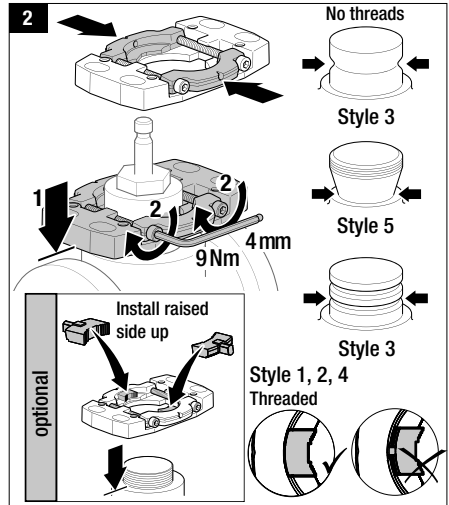
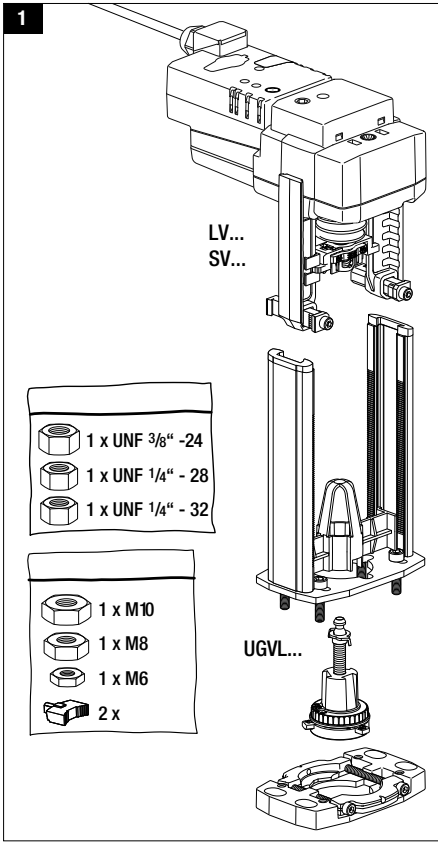


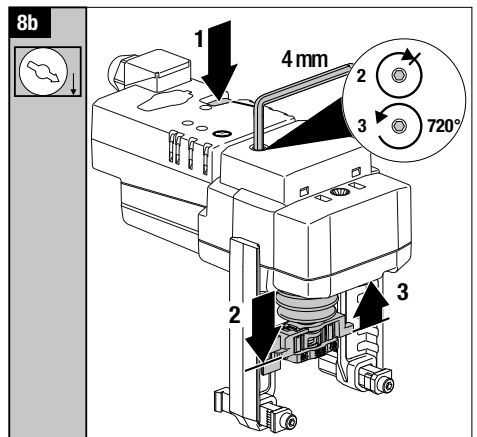
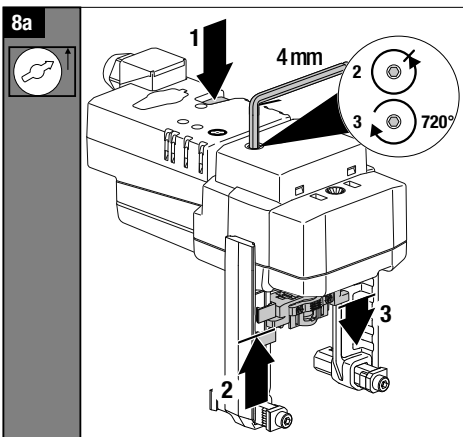
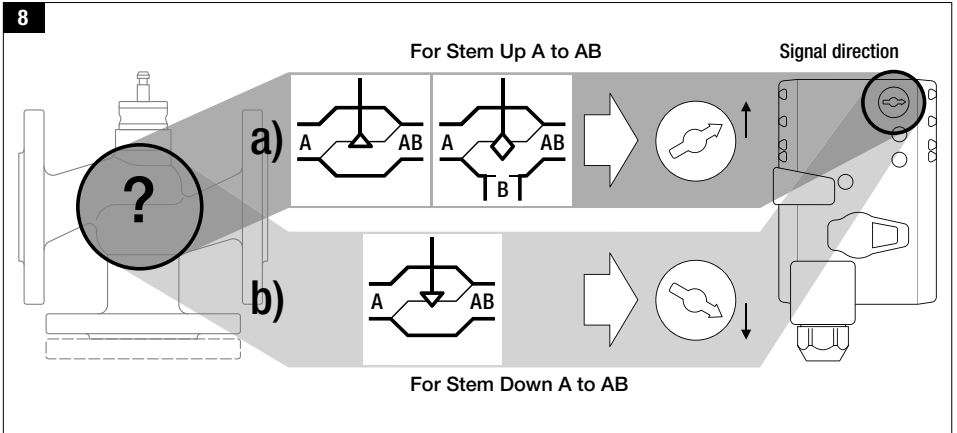
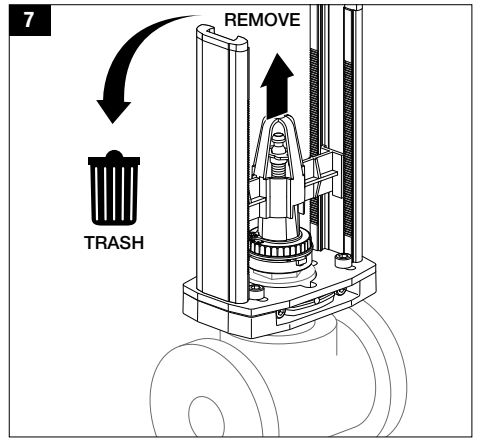
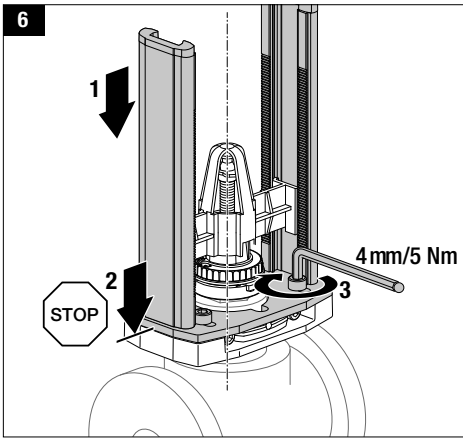
QUICK MOUNT VISUAL INSTRUCTION MANUAL

UGVL Linkage with LV and SV Series Actuators

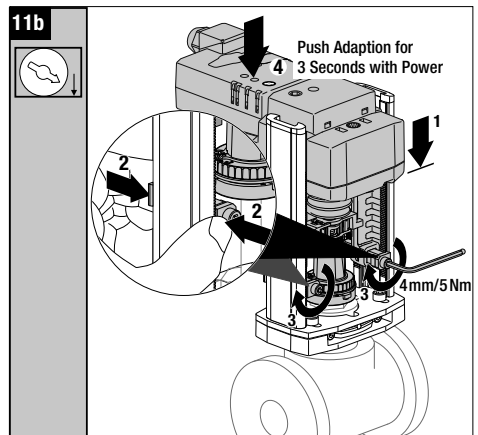
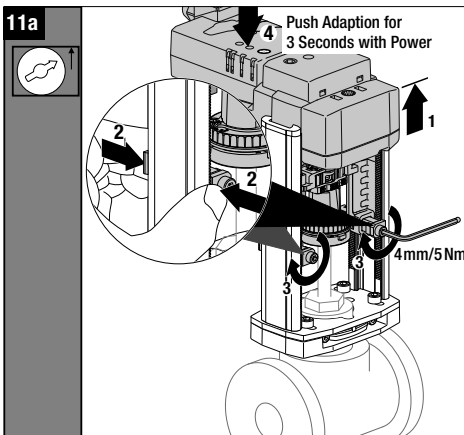
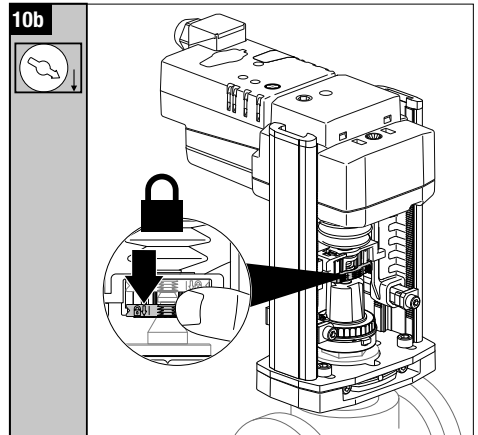
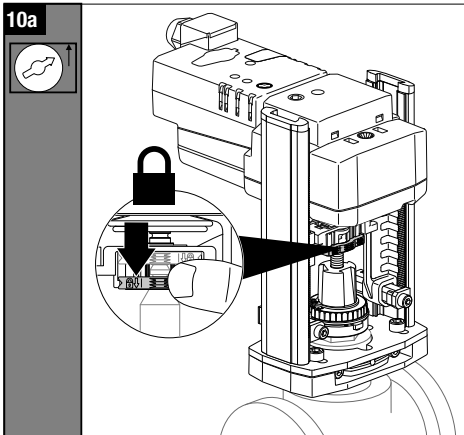
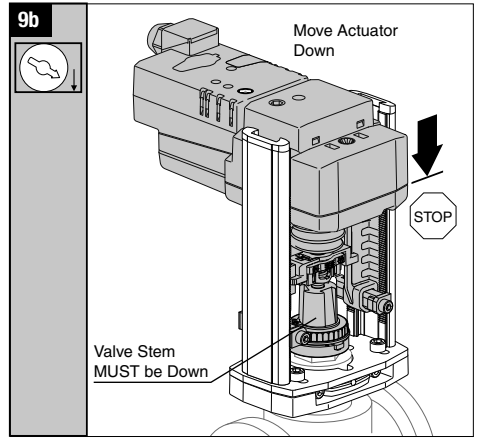
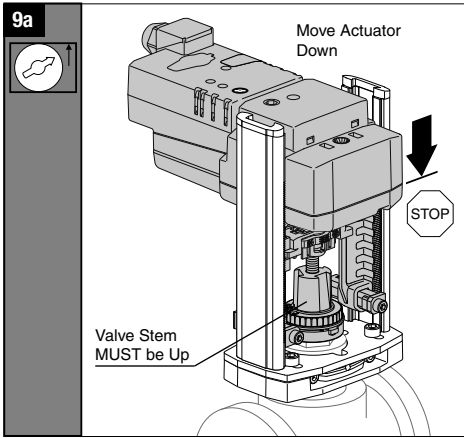


View the installation video for UGVL on Belimo's YouTube channel:  
<https://youtu.be/LAwPDb15FYE>

# UGVL Linkage with LV and SV Series Actuators



# UGVL Linkage with LV and SV Series Actuators



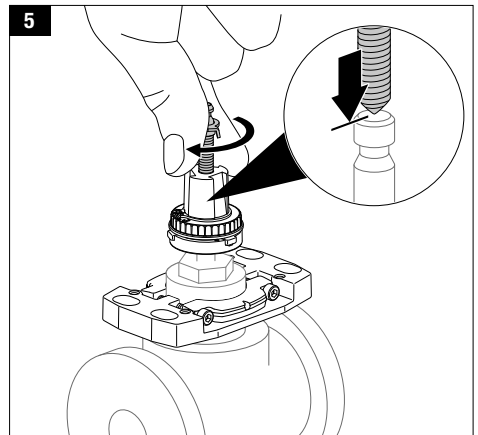
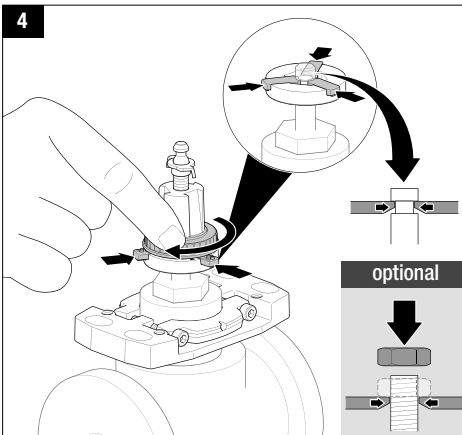
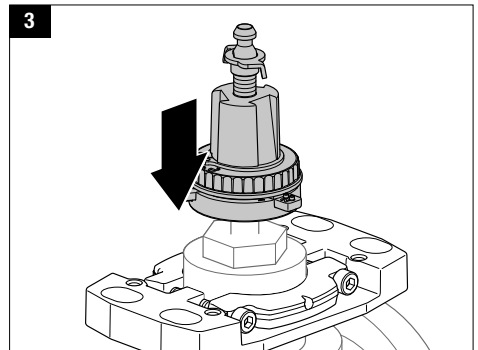
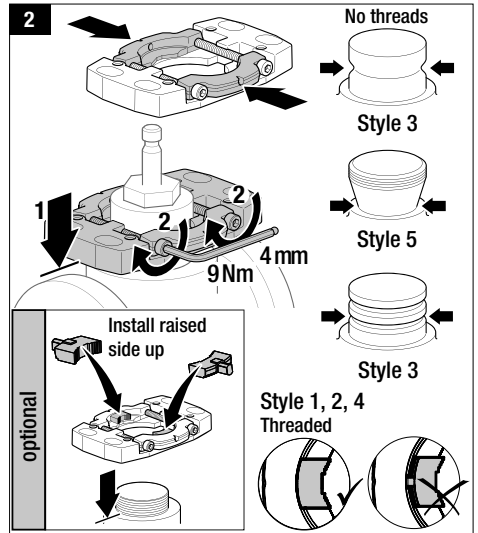
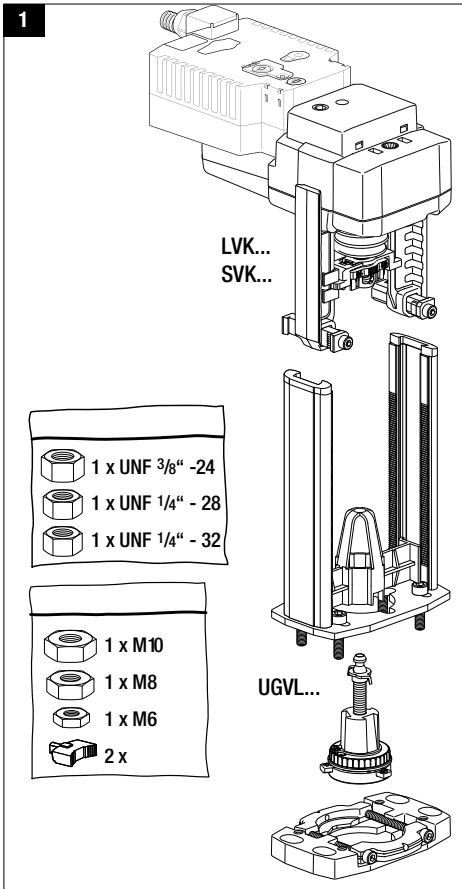
# UGVL Linkage with LV and SV Series Actuators

## WIRING DIAGRAMS

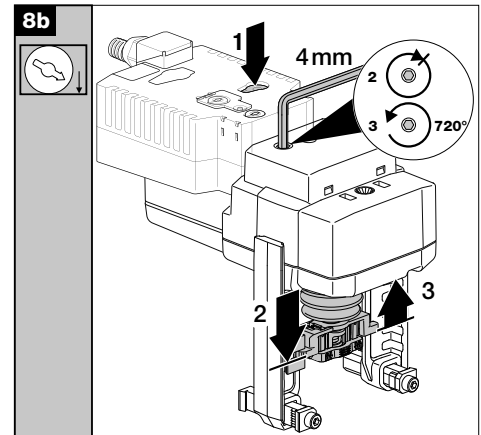
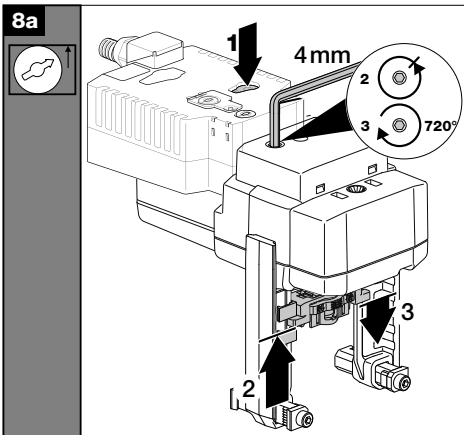
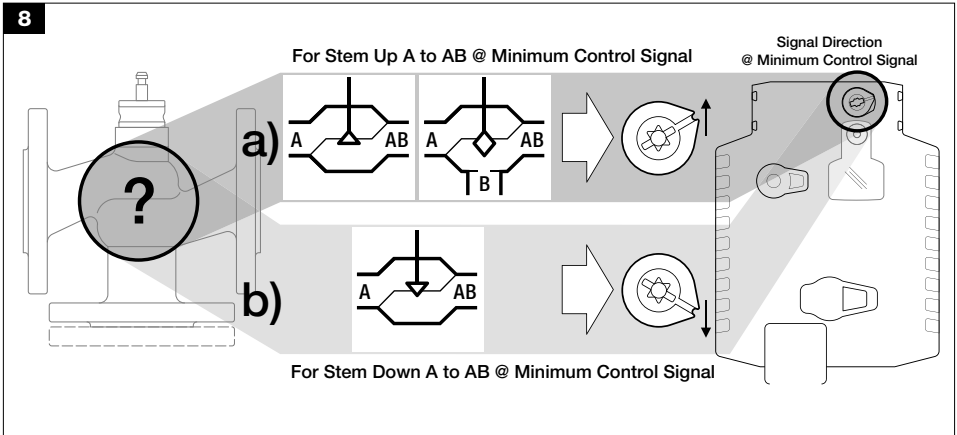
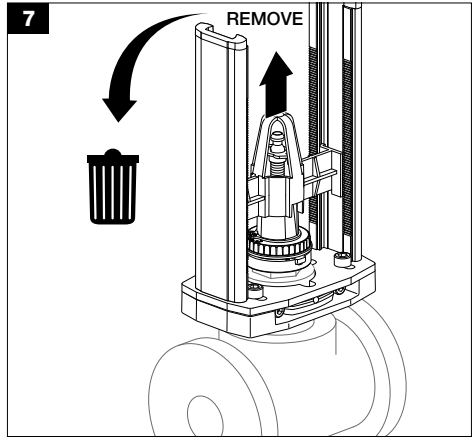
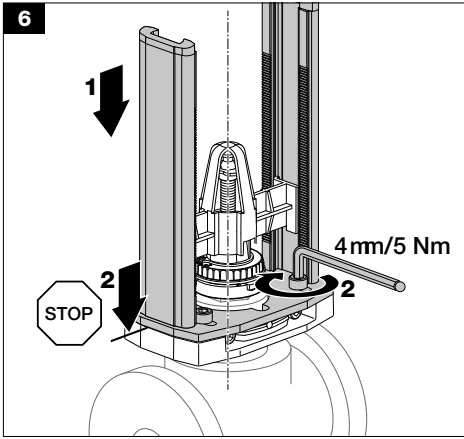
<p><b>Non-Spring Return Actuator with -3</b></p> <p><b>On/Off</b></p>	<p><b>24 VAC Transformer</b></p> <p><b>Floating Point</b></p>	<p><b>Non-Spring Return Actuator with -SR</b></p> <p><b>VDC / 4 to 20 mA</b></p>																								
<p><b>100 to 240 VAC</b></p> <p><b>On/Off</b></p>	<p><b>100 to 240 VAC</b></p> <p><b>Floating Point</b></p>	<p><b>Signal Direction</b></p> <p><b>Selector Switch</b></p>																								
<p><b>24 VAC Transformer (AC only)</b></p> <p><b>Triac Sink</b></p>	<p><b>24 VAC Transformer (AC only)</b></p> <p><b>Triac Source</b></p>																									
<p><b>Non-Spring Return Actuator with MFT</b></p>																										
<p><b>24 VAC Transformer</b></p> <p><b>On/Off</b></p>	<p><b>24 VAC Transformer</b></p> <p><b>Floating Point</b></p>	<p><b>Notes:</b></p> <ul style="list-style-type: none"> <li>◆ Meets cULus requirements without the need of an electrical ground connection</li> <li>Ⓐ Actuators with appliance cables are numbered.</li> <li>⚠ Actuators may be connected in parallel. Power consumption and input impedance must be observed.</li> <li>⚠ Actuators may also be powered by 24 VDC.</li> <li>⚠ Only connect common to neg. (-) leg of control circuits.</li> <li>⚠ A 500 Ω resistor converts the 4 to 20 mA control signal to 2 to 10 VDC.</li> <li>⚠ Control signal may be pulsed from either the Hot (Source) or Common (Sink) 24 VAC line.</li> <li>⚠ Contact closures A &amp; B also can be triacs. A &amp; B should both be closed for the triac source and open for triac sink.</li> <li>⚠ For triac sink the Common connection from the actuator must be connected to the Hot connection of the controller. Position feedback cannot be used with a triac sink controller. The actuator internal common reference is not compatible.</li> <li>⚠ IN4004 or IN4007 diode. (IN4007 supplied, Belimo Part number 40155)</li> <li>⚠ Actuators with plenum rated cable do not have numbers on wires; use color codes instead.</li> </ul>																								
<p><b>24 VAC Transformer</b></p> <p><b>VDC / 4 to 20 mA</b></p>	<p><b>24 VAC Transformer (AC Only)</b></p> <p><b>Override Control Min, Mid, Max Postions</b></p> <table border="1"> <thead> <tr> <th>Position</th> <th>1</th> <th>2</th> <th>3</th> <th>4</th> <th>5</th> </tr> </thead> <tbody> <tr> <td>Min</td> <td>0%</td> <td>✓</td> <td>✓</td> <td>✓</td> <td>✓</td> </tr> <tr> <td>Mid</td> <td>50%</td> <td>✓</td> <td>✓</td> <td>✓</td> <td>✓</td> </tr> <tr> <td>Max</td> <td>100%</td> <td>✓</td> <td>✓</td> <td>✓</td> <td>✓</td> </tr> </tbody> </table>	Position	1	2	3	4	5	Min	0%	✓	✓	✓	✓	Mid	50%	✓	✓	✓	✓	Max	100%	✓	✓	✓	✓	
Position	1	2	3	4	5																					
Min	0%	✓	✓	✓	✓																					
Mid	50%	✓	✓	✓	✓																					
Max	100%	✓	✓	✓	✓																					

- BRN Brown
- BLU Blue
- ORG Orange
- PNK Pink
- WHT White
- RED Red
- BLK Black
- BRN Brown
- MAR Maroon
- BRN Brun
- BLEU Bleu
- ORANGE Orange
- ALOR Aranjado
- BLU Azul
- ROJO Rojo
- NEGRO Negro
- ROSA Rosa
- BLANCO Blanco
- VERM Vermelho
- BRUN Marrom
- AZUL Azul
- COG-de-ros Cor-de-ros
- BRANCO Branco
- PRETO Preto

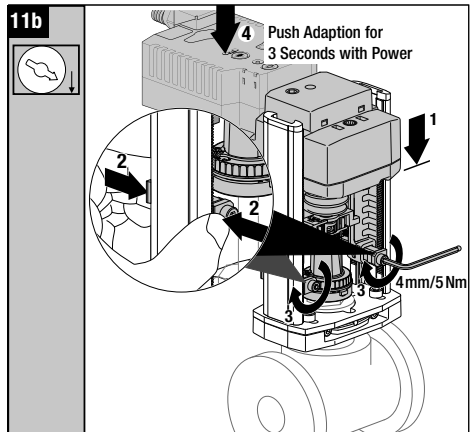
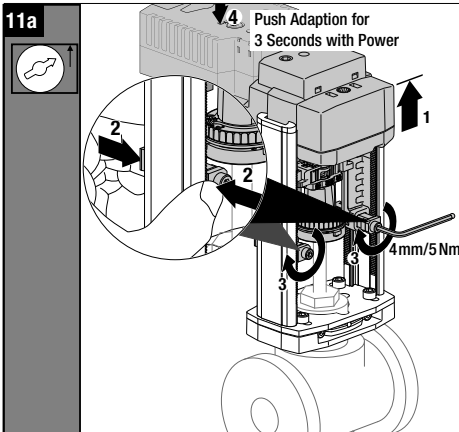
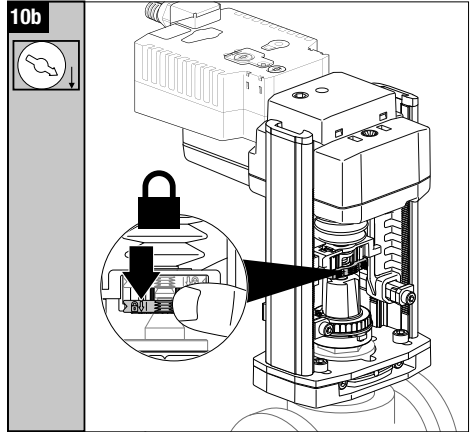
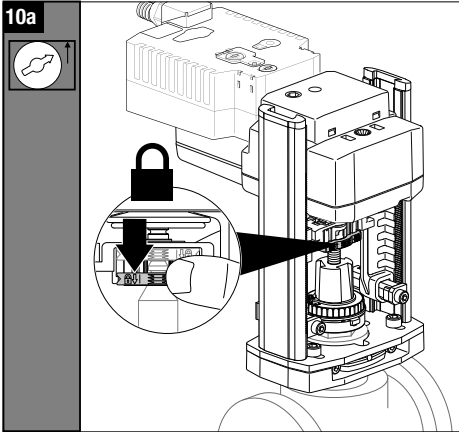
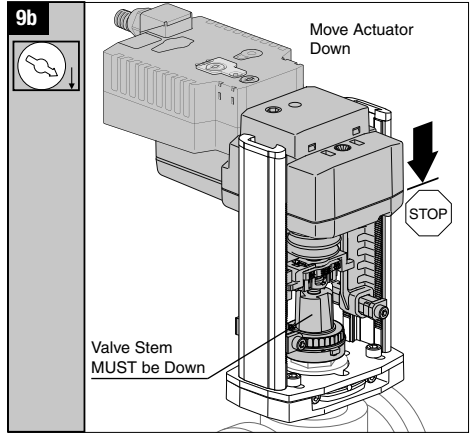
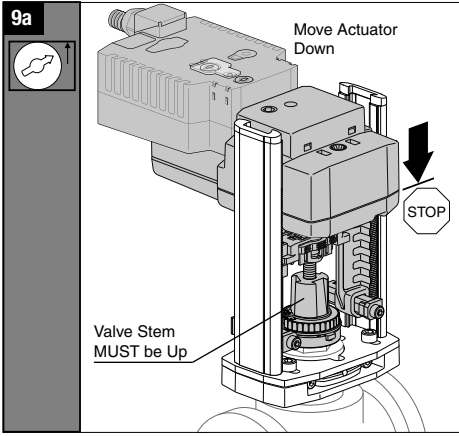
## UGVL Linkage with LVK and SVK Series Actuators



# UGVL Linkage with LVK and SVK Series Actuators



## UGVL Linkage with LVK and SVK Series Actuators

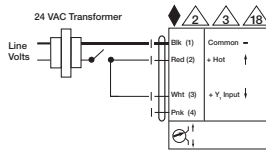


# QUICK MOUNT VISUAL INSTRUCTION MANUAL

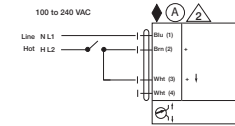
## UGVL Linkage with LVK and SVK Series Actuators

### WIRING DIAGRAMS

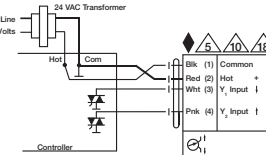
#### Electronic Fail-Safe Actuator with -3



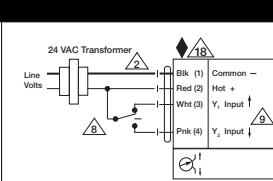
On/Off



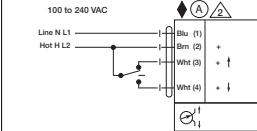
On/Off



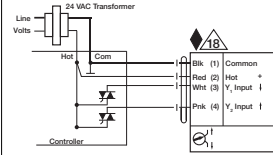
Triac Sink



Floating Point

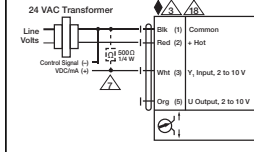


Floating Point

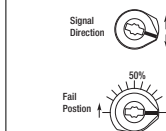


Triac Source

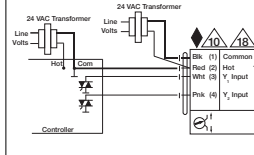
#### Electronic Fail-Safe Actuator with -SR



VDC / 4 to 20 mA

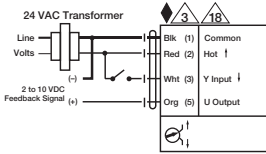


Selector Switches

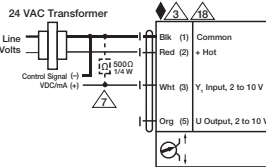


Triac Sink with Separate Transformer

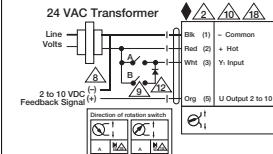
#### Electronic Fail-Safe Actuator with MFT



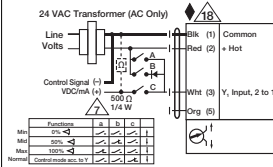
On/Off



VDC / 4 to 20 mA



Floating Point



Override Control Min, Mid, Max Postions

#### Notes:

- ◆ Meets cULus requirements without the need of an electrical ground connection.
- Ⓐ Actuators with appliance cables are numbered.
- Ⓐ Actuators may be connected in parallel. Power consumption and input impedance must be observed.
- Ⓐ Actuators may also be powered by 24 VDC.
- Ⓐ Only connect common to neg. (-) leg of control circuits.
- Ⓐ A 500 Ω resistor converts the 4 to 20 mA control signal to 2 to 10 VDC.
- Ⓐ Control signal may be pulsed from either the Hot (Source) or Common (Sink) 24 VAC line.
- Ⓐ Contact closures A & B also can be triacs. A & B should both be closed for the triac source and open for triac sink.
- Ⓐ For triac sink the Common connection from the actuator must be connected to the Hot connection of the controller. Position feedback cannot be used with a triac sink controller. The actuator internal common reference is not compatible.
- Ⓐ IN4004 or IN4007 diode. (IN4007 supplied, Belimo Part number 40155)
- Ⓐ Actuators with plenum rated cable do not have numbers on wires; use color codes instead.

BRN Brown  
BLU Blue  
BLK Black  
ORG Orange  
WHT White  
RED Red  
GRY Grey  
Pnk Pink  
Rouge Rouge  
Rosa Rosa  
Cor-de-rosa Cor-de-rosa

BRN Brown  
BLU Blue  
BLK Black  
ORG Orange  
WHT White  
RED Red  
GRY Grey  
Pnk Pink  
Rouge Rouge  
Rosa Rosa  
Cor-de-rosa Cor-de-rosa

BRN Brown  
BLU Blue  
BLK Black  
ORG Orange  
WHT White  
RED Red  
GRY Grey  
Pnk Pink  
Rouge Rouge  
Rosa Rosa  
Cor-de-rosa Cor-de-rosa

BRN Brown  
BLU Blue  
BLK Black  
ORG Orange  
WHT White  
RED Red  
GRY Grey  
Pnk Pink  
Rouge Rouge  
Rosa Rosa  
Cor-de-rosa Cor-de-rosa