

# VST10 (-4), VST11 (-4) VST10 (-4), VST11 (-4)

## Track Mount 10 Amp SPDT Relay



### Installer's Specifications

Operating Temperature	0° to 60°C (32° to 140°F)
Operating Humidity	10-90% RH, non-condensing
Relay Status	LED ON=energized
Auxiliary Supply for HOA	24VAC/DC (supplied from a Class 2 or LVLE source)*
Expected Relay Life	Electrical (@ rated current) 100,000 cycles;
	Mechanical (unpowered) 10,000,000 cycles
Terminal Block Torque	0.5 to 3.5 in-lb (0.68 to 4.75 N-m)
Insulation Class	600VAC RMS (coil to contact); 120VAC RMS (terminal to surface)
Agency Approvals	UL508 open device listing; Installation Category III, pollution degree 2

\*Class 2 source: A source that provides a Class 2 power supply as defined by the NEC, NFPA-70.  
LVLE: Low voltage limited energy, not capable of providing more than 30VAC/42.4VDC, 8A or 100VA



### HAZARD OF ELECTRIC SHOCK, EXPLOSION, OR ARC FLASH

- Follow safe electrical work practices. See NFPA 70E in the USA, or applicable local codes.
- This equipment must only be installed and serviced by qualified electrical personnel.
- Read, understand and follow the instructions before installing this product.
- Turn off all power supplying equipment before working on or inside the equipment.
- Use a properly rated voltage sensing device to confirm power is off.  
DO NOT DEPEND ON THIS PRODUCT FOR VOLTAGE INDICATION

**Failure to follow these instructions will result in death or serious injury.**

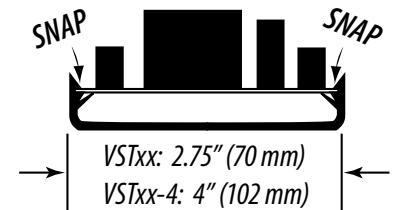
### NOTICE

- This product is not intended for life or safety applications.
- Do not install this product in hazardous or classified locations.
- The installer is responsible for conformance to all applicable codes.
- Mount this product inside a suitable fire and electrical enclosure.

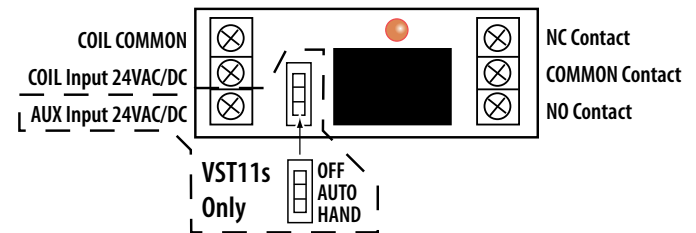
### INSTALLATION

Disconnect and lock out all power sources before beginning the installation.

1. Snap the VST into a mounted track of the appropriate size.



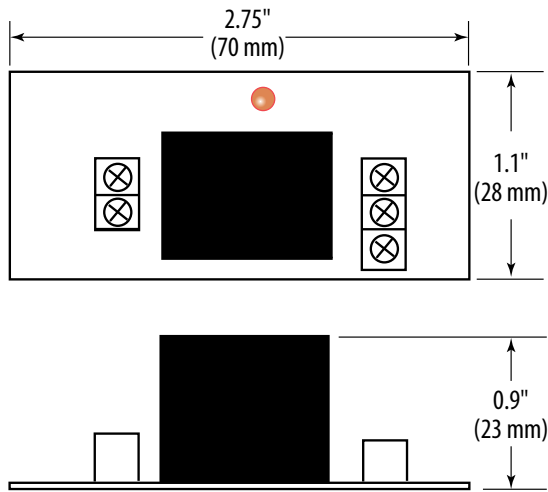
2. Connect the coil terminals as indicated below. The status LED is closest to the load terminals. Use a single 24 VAC/DC Class 2 or low-voltage limited energy (LVLE), power source. Fusing is mandatory if the control voltage supply can provide > 4 A.



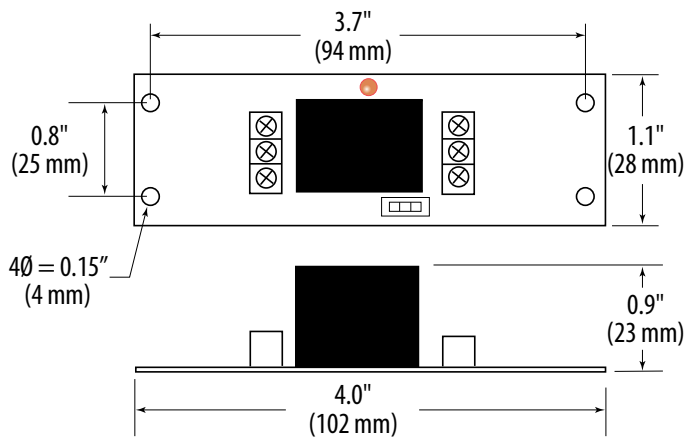
3. Connect the contact terminals to the load(s), as required.
4. If using a VST11 or VST11-4, set the HOA switch to the correct position for your application, Hand, Auto, or Off. If using the Hand position, connect the 24 VAC/DC coil power to the AUX terminal to power the switch.
5. Secure the enclosure and reconnect power.

**DIMENSIONS**

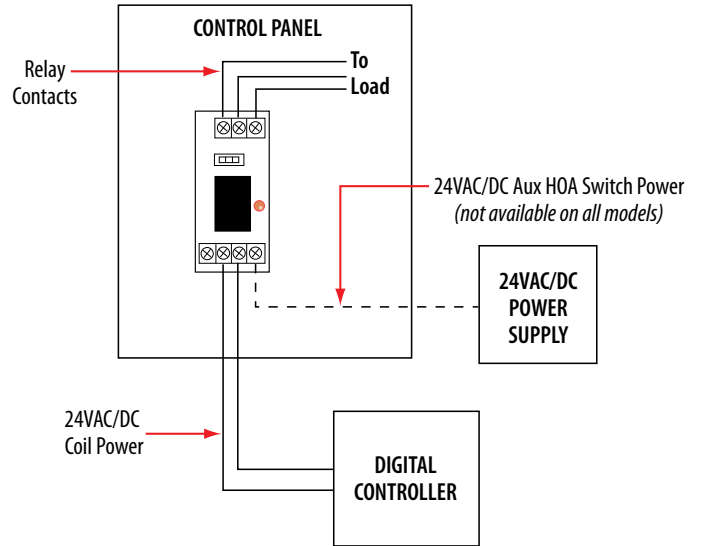
*VST10 and VST11*



*VST10-4 and VST11-4*



**WIRING EXAMPLE**



**CONTACT AND COIL SPECIFICATIONS**

TYPICAL COIL PERFORMANCE		
VOLTAGE	Coil Current	
	AC	DC
24V.....	32mA	15mA

CONTACT RATINGS	
Resistive.....	10A@250VAC 5A@30VDC
Motor.....	120VAC, 1/4HP N.O. 1/8 HP N.C.