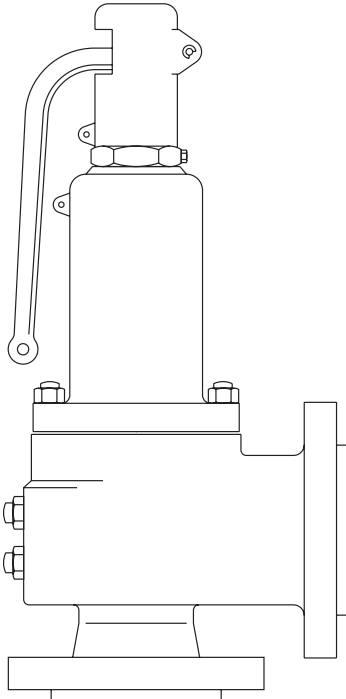


**SV73 and SV74
Safety Valves**

Installation and Maintenance Instructions



1. *Safety information*
2. *Product information*
3. *Supply*
4. *Handling*
5. *Before fitting the valve*
6. *Installation*
7. *Damage prevention*
8. *Commissioning*
9. *Testing during use*
10. *Maintenance*

1. Safety information

Safe operation of the unit can only be guaranteed if it is properly installed, commissioned and maintained by a qualified person (see Section 1.11) in compliance with the operating instructions. General installation and safety instructions for pipeline and plant construction, as well as the proper use of tools and safety equipment must also be complied with.

1.1 Intended use

Referring to these Installation and Maintenance Instructions, Name-plate and Technical Information Sheet, check that the product is suitable for the intended use/application. The SV74 safety valve range complies with the requirements of the European Pressure Equipment Directive 97/23/EC and carry the CE mark. It falls within Category 4 for Group 2 Gases.

The SV73 safety valve body, bonnet and cap are manufactured in grey cast iron and as such does not fall within the scope of the Pressure Equipment Directive. The SV73 therefore, cannot be used on any installation within the EU.

- i) The SV74 has been specifically designed for use on steam, air and inert industrial gases in Group 2 of the above mentioned Pressure Equipment Directive. The product's use on other fluids may be possible but, if this is contemplated, Spirax Sarco should be contacted to confirm the suitability of the product for the application being considered.
- ii) Check material suitability, pressure and temperature and their maximum and minimum values. If the maximum operating limits of the product are lower than those of the system in which it is being fitted, or if malfunction of the product could result in a dangerous overpressure or overtemperature occurrence, ensure a safety device is included in the system to prevent such over-limit situations.
- iii) Determine the correct installation situation and direction of fluid flow.
- iv) Spirax Sarco products are not intended to withstand external stresses that may be induced by any system to which they are fitted. It is the responsibility of the installer to consider these stresses and take adequate precautions to minimise them.
- v) Remove protective covers from all connections before installation.

1.2 Access

Ensure safe access and if necessary a safe working platform (suitably guarded) before attempting to work on the product. Arrange suitable lifting gear if required.

1.3 Lighting

Ensure adequate lighting, particularly where detailed or intricate work is required.

1.4 Hazardous liquids or gases in the pipeline

Consider what is in the pipeline or what may have been in the pipeline at some previous time. Consider; flammable materials, substances hazardous to health, extremes of temperature.

1.5 Hazardous environment around the product

Consider; explosion risk areas, lack of oxygen (e.g. tanks, pits), dangerous gases, extremes of temperature, hot surfaces, fire hazard (e.g. during welding), excessive noise, moving machinery.

1.6 The system

Consider the effect on the complete system of the work proposed. Will any proposed action (e.g. closing isolation valves, electrical isolation) put any other part of the system or any personnel at risk?

Dangers might include isolation of vents or protective devices or the rendering ineffective of controls or alarms. Ensure isolation valves are turned on and off in a gradual way to avoid system shocks.

1.7 Pressure systems

Ensure that any pressure is isolated and safely vented to atmospheric pressure. Consider double isolation (double block and bleed) and the locking or labelling of closed valves. Do not assume that the system has depressurised even when the pressure gauge indicates zero.

1.8 Temperature

Allow time for temperature to normalise after isolation to avoid danger of burns.

1.9 Tools and consumables

Before starting work ensure that you have suitable tools and/or consumables available. Use only genuine Spirax Sarco replacement parts.

1.10 Protective clothing

Consider whether any protective clothing is required by yourself and/or others in the vicinity to protect against the hazards of, for example, chemicals, high/low temperature, noise, falling objects, and dangers to eyes and face.

1.11 Permits to work

All work must be carried out or be supervised by a suitably competent person. Installation and operating personnel should be trained in the correct use of the product according to these instructions.

Where a formal 'permit to work' system is in force it must be complied with. Where there is no such system, it is recommended that a responsible person should know what work is going on and, where necessary, arrange to have an assistant whose primary responsibility is safety.

Post 'warning notices' if necessary.

1.12 Handling

Where the weight of the product exceeds 20 kg (44 lb) it is recommended that suitable lifting equipment is used to prevent personal injury.

1.13 Residual hazards

In normal use the external surface of the product may be very hot. If used at the maximum permitted operating conditions the surface temperature of some products may reach temperatures in excess of 350°C (662°F).

Many products are not self-draining. Take due care when dismantling or removing the product from an installation (refer to Section 10, 'Maintenance instructions').

1.14 Freezing

Provision must be made to protect products which are not self-draining against frost damage if they are inoperative in environments where they may be exposed to temperatures below freezing point.

1.15 Safety information - Product specific

This product should not be dismantled without first releasing the compression on the adjustment spring.

If the valve is to be installed outdoors, the inlet neck and body of the valve must be insulated to reduce the effects of temperature variation.

1.16 Disposal

Unless otherwise stated in the Installation and Maintenance Instructions, this product is recyclable and no ecological hazard is anticipated with its disposal providing due care is taken.

1.17 Returning products

Customers and stockists are reminded that under UK and EC Health, Safety and Environment Law, when returning products to Spirax Sarco they must provide information on any hazards and the precautions to be taken due to contamination residues or mechanical damage which may present a health, safety or environmental risk. This information must be provided in writing including Health and safety data sheets relating to any substances identified as hazardous.

2. Product information

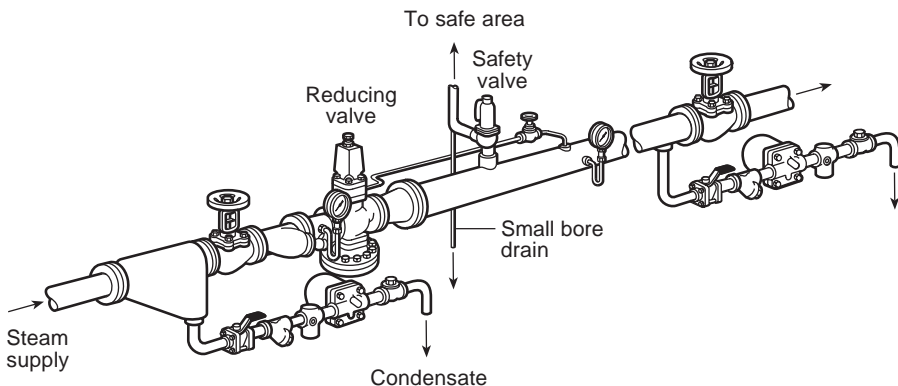


Fig. 1 Typical installation of safety valve, downstream of pressure reducing valve station

2.1 Description

The SV7 series is a semi-nozzle, full lift safety valve suitable for steam, air and other inert industrial gases. They are primarily intended for use on power boilers and unfired pressure vessels and comply with Section I and VIII of the ASME Boiler and Pressure Vessel Code.

Available types

There are two body material variations for the SV7 series safety valves:

SV73	Grey cast iron body with stainless steel trim in orifice sizes 'J' to 'R'
SV74	Carbon steel body with stainless steel trim in orifice sizes 'F' to 'R'

Standards and approvals

The SV7 is designed in accordance with ASME Boiler and Pressure Vessel Codes Section I and Section VIII. The National Board of Boiler and Pressure Vessel Inspectors certifies design and capacities. Each valve may be stamped with the ASME 'UV' Code symbol for Section VIII valves or the ASME 'V' code symbol for Section I valves.

The SV74 is marked for compliance with European Pressure Equipment Directive 97/23/EC. Seat tightness is in accordance with ANSI/API STD 527 - 1992.

Certification

A certificate of conformity to EN 10204 2.2 is provided as standard for each valve including valve set and hydraulic pressure. Also available on request is material certification in accordance with EN 10204 3.1.

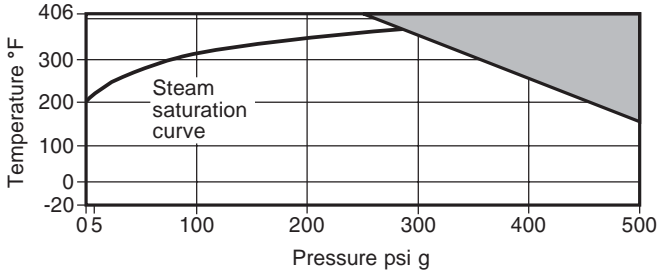
2.2 Sizes and end connections

Valves are available in the following sizes:

Type and size range	Inlet	Outlet
	1½" x 2½" to 3" x 4"	Screwed NPT female
SV73	1½" x 2½" to 3" x 4"	Screwed NPT female
	3" x 4" to 6" x 8"	Flanged ANSI 125
SV74	1½" x 2" to 6" x 8"	Flanged ANSI 150

2.3 Pressure/temperature limits - SV73

Please contact Spirax Sarco, when so required, for relevant details regarding the maximum allowable limits that the shell can withstand.

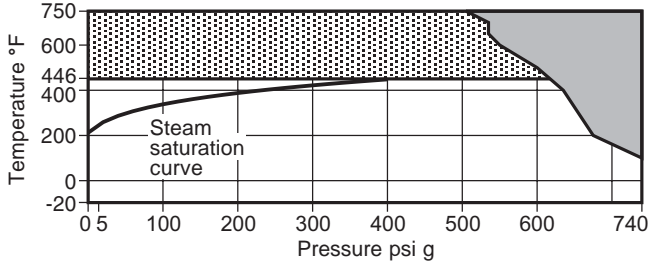


 The product **must not** be used in this region.


Body design conditions		ANSI 250		
Set pressure range	Maximum	250 psi g		
	Minimum	5 psi g		
Temperature	Maximum	406°F		
	Minimum	-20°F		
Performance data	Overpressure	ASME I	Steam	3%
		ASME VIII	Steam	10%
	Blowdown limits	ASME I	Air/gas	10%
			Steam	2 - 6%
		ASME VIII	Steam	7%
			Air/gas	7%
Derated coefficient of discharge values	Steam		0.955	
	Air/gas		0.955	
Maximum permitted backpressure up to:			10% of set pressure	
Designed for a max. inlet cold hydraulic test pressure of:			600 psi g	

2.4 Pressure/temperature limits - SV74

Please contact Spirax Sarco, when so required, for relevant details regarding the maximum allowable limits that the shell can withstand.



 The product **must not** be used in this region.

 A tungsten alloy spring must be used in this region. Consult Spirax Sarco for further information

Body design conditions		ANSI 300		
Set pressure range	Maximum	300 psi g		
	Minimum	5 psi g		
Temperature	Maximum	750°F		
	Minimum	-20°F		
Performance data	Overpressure	ASME I	Steam	3%
		ASME VIII	Steam	10%
	Blowdown limits	ASME I	Steam	2 - 6%
		ASME VIII	Steam	7%
	Derated coefficient of discharge values		Air/gas	10%
			Steam	7%
		Air/gas	0.955	
		Air/gas	0.955	
Maximum permitted backpressure up to:			10% of set pressure	
Designed for a max. inlet cold hydraulic test pressure of:			1 015 psi g	

2.5 Dimensions, weights and orifice sizes (approximate) in inches and lbs

SV73

Valve inlet		Valve outlet		Orifice	A ins	A1 ins	B ins	C ins	Weight lbs
Size	Connection	Size	Connection						
1½"	NPT	2½"	NPT	J	3.5	-	4.3	15.8	33.0
2"	NPT	3"	NPT	K	4.0	-	4.6	17.1	42.0
2½"	NPT	4"	NPT	L	4.6	-	5.5	18.5	65.0
3"	NPT	4"	NPT	M	5.1	-	5.6	24.3	75.0
1½"	ANSI 250	2½"	NPT	J	3.5	-	4.3	15.8	37.5
2"	ANSI 250	2½"	NPT	J	3.5	-	4.3	15.8	38.5
2"	ANSI 250	3"	NPT	K	4.0	-	4.6	17.1	47.5
2½"	ANSI 250	3"	NPT	K	4.0	-	4.6	17.1	48.5
2½"	ANSI 250	4"	NPT	L	4.6	-	5.5	19.5	74.0
3"	ANSI 250	4"	NPT	L	4.6	-	5.5	19.5	75.0
3"	ANSI 250	4"	NPT	M	5.1	-	5.4	24.3	84.0
3"	ANSI 250	4"	ANSI 125	L	-	5.5	5.5	19.5	81.5
3"	ANSI 250	4"	ANSI 125	M	-	5.5	5.4	24.3	91.5
4"	ANSI 250	6"	ANSI 125	N	-	7.1	6.8	26.5	137.0
4"	ANSI 250	6"	ANSI 125	P	-	7.1	6.8	28.5	167.5
6"	ANSI 250	8"	ANSI 125	Q	-	9.3	9.3	34.5	331.0
6"	ANSI 250	8"	ANSI 125	R	-	10.0	10.9	43.9	381.5

SV74

Valve inlet		Valve outlet		Orifice	A ins	B ins	C ins	Weight lbs
Size	Connection	Size	Connection					
1½"	ANSI 300	2"	ANSI 150	F	4.25	4.5	15.7	42.0
1½"	ANSI 300	2"	ANSI 150	G	4.25	4.5	15.7	42.0
1½"	ANSI 300	2½"	ANSI 150	H	4.90	4.8	16.2	48.0
1½"	ANSI 300	2½"	ANSI 150	J	4.90	4.8	16.2	48.0
2"	ANSI 300	3"	ANSI 150	K	5.60	5.1	18.5	88.0
2½"	ANSI 300	4"	ANSI 150	L	6.40	6.1	20.1	125.0
3"	ANSI 300	4"	ANSI 150	M	6.50	6.5	25.0	132.0
4"	ANSI 300	6"	ANSI 150	N	7.50	7.2	26.7	183.0
4"	ANSI 300	6"	ANSI 150	P	8.30	7.1	28.7	220.0
6"	ANSI 300	8"	ANSI 150	Q	9.40	9.9	34.8	431.0

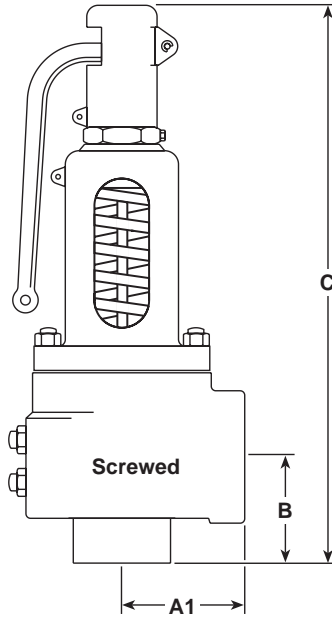


Fig. 2 SV73

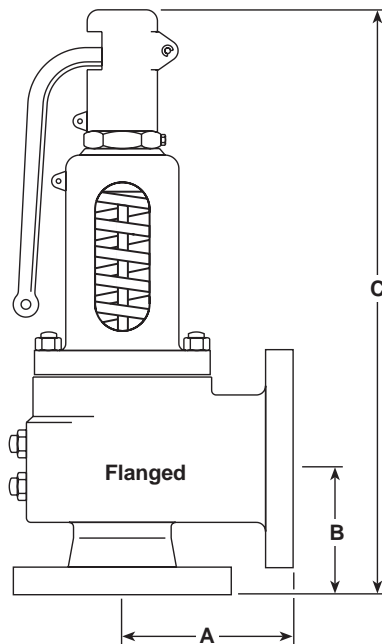


Fig. 3 SV73 and SV74

2.6 Materials

No.	Part		Material	
1	Body	SV73	Cast iron	ASTM A351 Grade CF8
		SV74	Cast steel	SA 216 Gr. WCB
2	Seat		Stainless steel	ASTM A351 Grade CF8
3	Bonnet	SV73	Cast iron	ASTM A126 Class B
		SV74	Cast steel	SA 216 Gr. WCB
4	Cap		Cast iron	ASTM A126 Class B
5	Disc		Stainless steel	ASTM A217 CA15
* 6	Spring		Chrome - vanadium	Alloy steel
7	Upper adjusting ring		Stainless steel	ASTM A351 Grade CF8
8	Lower adjusting ring		Stainless steel	ASTM A351 Grade CF8
9	Stem (lower)		Stainless steel	ASTM A479 Type 410
10	Stem (upper)		Stainless steel	ASTM A479 Type 410
11	Spring washers (2 off)		Steel	ASTM A105
12	Bonnet stud		Steel	ASTM A193 Grade B7
13	Bonnet nut		Steel	ASTM A194 Grade 2H
14	Adjusting screw		Stainless steel	ASTM A479 Type 410
15	Adjusting screw nut		Carbon steel	
16	Release ring		Carbon steel	
18	Lever		Grey iron	
19	Lock-nut (2 off)		Carbon steel	
20	Cap set screw		Carbon steel	
21	Upper adjusting ring pin		Stainless steel	
22	Lower adjusting ring pin		Stainless steel	
23	Disc ball		Stainless steel	
24	Pin washer		Carbon steel	
25	Lever pin		Carbon steel	
26	Lock-nut		Carbon steel	
39	Guide plate		Carbon steel	
40	Stem pin		Carbon steel	

* For temperatures above 446°F (SV74 only) - tungsten alloy steel.

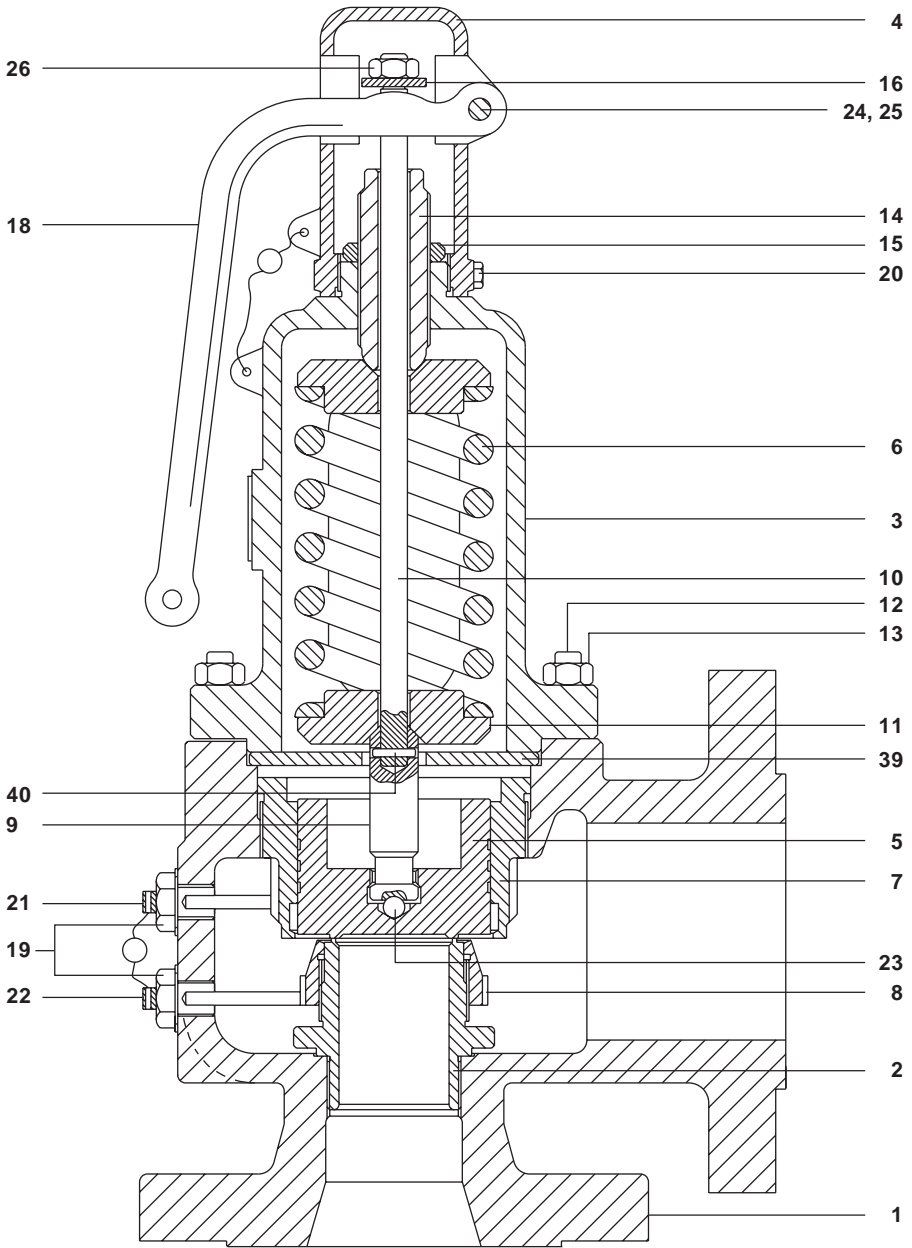


Fig. 4

2.7 How to select

Model type SV7

Construction 3 = Cast iron
 4 = Cast steel 3

ASME section V = ASME Code Section I
 U = ASME Code Section VIII V
 Blank = Valve without code stamp

SV73
Size and connection

A =	1½" NPT x 2½" NPT	
B =	2" NPT x 3" NPT	
C =	2½" NPT x 4" NPT	
D =	3" NPT x 4" NPT	
E =	1½" ANSI 250 x 2½" NPT	
F =	2" ANSI 250 x 2½" NPT	
G =	2" ANSI 250 x 3" NPT	A
H =	2½" ANSI 250 x 3" NPT	
I =	2½" ANSI 250 x 4" NPT	
J =	3" ANSI 250 x 4" NPT	
K =	3" ANSI 250 x 4" NPT	
L =	3" ANSI 250 x 4" ANSI 125	
N =	4" ANSI 250 x 6" ANSI 125	
Q =	6" ANSI 250 x 8" ANSI 125	

SV74
Size and connection

S =	1½" ANSI 300 x 2" ANSI 150	
T =	1½" ANSI 300 x 2½" ANSI 150	
U =	2" ANSI 300 x 3" ANSI 150	
V =	2½" ANSI 300 x 4" ANSI 150	
W =	3" ANSI 300 x 4" ANSI 150	
X =	4" ANSI 300 x 6" ANSI 150	
Y =	6" ANSI 300 x 8" ANSI 150	

Orifice area in²

F =	0.328	SV73	SV74	J
G =	0.537			
H =	0.841			
J =	1.374			
K =	1.968			
L =	3.054			
M =	3.846			
N =	4.633			
P =	6.830			
Q =	11.811			
R =	17.123			

Set pressure Specify set pressure 5 - 300

SV73 5 - 250 psi g
SV74 5 - 300 psi g

For tungsten alloy spring (SV74 only) add 'T' after set pressure eg: 180 'T'.

Selection example SV7 3 - V - A J 180

How to order example:

1 off Spirax Sarco SV73-V-AJ safety valve having a set pressure of 180 psi g (12.5 bar g).

3. Supply

Normally, the valve will be supplied set at the required pressure and sealed.

ASME/API standards and local regulations require that the setting of the valve should only be carried out by an authorised/competent person.

Spirax Sarco accepts no responsibility for valves which have been reset by unauthorised persons.

4. Handling

- 4.1 Valves should be transported in the upright position.
- 4.2 **Do not drop** and avoid sudden shocks or heavy impacts.
- 4.3 Always store in the suppliers packaging until required.
- 4.4 **Never** carry a safety valve by the lifting lever.

5. Before fitting the valve

The internal parts of the SV7 safety valve are precision machined and assembled to maintain perfect alignment. Rough handling may damage the seats or cause sufficient misalignment to incur leakage or erratic operation. Safety valves should be handled with care.

Prior to installation they should remain in the packing provided by the supplier and kept in a clean, dry, covered storage area and segregated from other valves, fittings and pipework.

- 5.1 Ensure that the pipework installation is suitable for the valve (see Figure 1, page 5).
- 5.2 Check that the details on the safety valve name-plate are compliant with the installation and process.
- 5.3 Blow through the pipework to ensure that it is completely free of any foreign matter that may otherwise pass to the valve seat and cause damage, leading to seat leakage. Blowdown must be carried out before installing the safety valve.
- 5.4 Remove all packaging and protective flange covers. Avoid getting any dirt or scale inside the valve before installation.
- 5.5 Visually inspect the valve for any apparent damage. Ensure all wires and seals are intact.
- 5.6 Ensure that the valve is set to the correct pressure, see 'Testing during use', Section 9.

6. Installation

Note: Before actioning any installation observe the 'Safety information' in Section 1.

6.1 Inlet piping

The SV7 safety valve should be installed in a vertical upright position. The inlet piping to the valve should be short and direct from the vessel or equipment being protected. The connection to the vessel should be straight or provided with a radius to permit smooth flow to the valve. Sharp corners should be avoided. Should this not be practical, then the inlet should be flared out at least one additional pipe diameter.

6.2 Outlet piping

Discharge lines from the SV7 shall be at least the same size as the valve outlet and as short and direct as possible. Discharge lines shall prevent condensate from collecting in the discharge side of the valve body and must be directed to a safe discharge area. Although the valve body will withstand a considerable mechanical load, unsupported discharge piping should be given consideration and should consist of no more than a companion flange, long radius elbow and a short vertical pipe. A Spirax Sarco drip pan elbow is an ideal choice. Care should be taken to ensure thermal expansion of piping and support does not produce strains in a valve. Spring supports are recommended where this may be the case.

6.3 Section I valves

SV7 ASME Section I valves must be connected to the boiler independent of any other connection and as close to the boiler or normal steam flow path as possible without unnecessary intervening pipe or fittings. Make sure any intervening pipe or fitting is not longer than the face-to-face dimensions of the corresponding 'T' fittings of the same diameter and pressure rating.

6.4 Section VIII valves

For SV7 ASME Section VIII service, the valve should be connected to the vessel in the vapour space above any contained liquid or to the piping connected to the vapour space in the vessel which is to be protected. The connection between the valve and boiler or vessel shall have an area at least equal to the valve inlet.

Note: Stop valves are not permitted between vessel and safety/relief valve and the discharge to atmosphere except per ASME section VIII UG-135(e).

Figure 5 shows a typical installation for the SV7 safety valve.

6.5 Outlet reaction forces

The discharge of a safety valve will impose a reactive load on the inlet of the valve and adjacent supporting vessel shell as a result of the reaction force of the flowing stream. The precise nature of the loading and the resulting stresses will depend on the configuration of the valve and discharge piping. This must be taken into consideration by those responsible for the installation of the safety valve and associated vessel or piping.

Determination of outlet reaction forces is the responsibility of the designer of the vessel and/or piping.

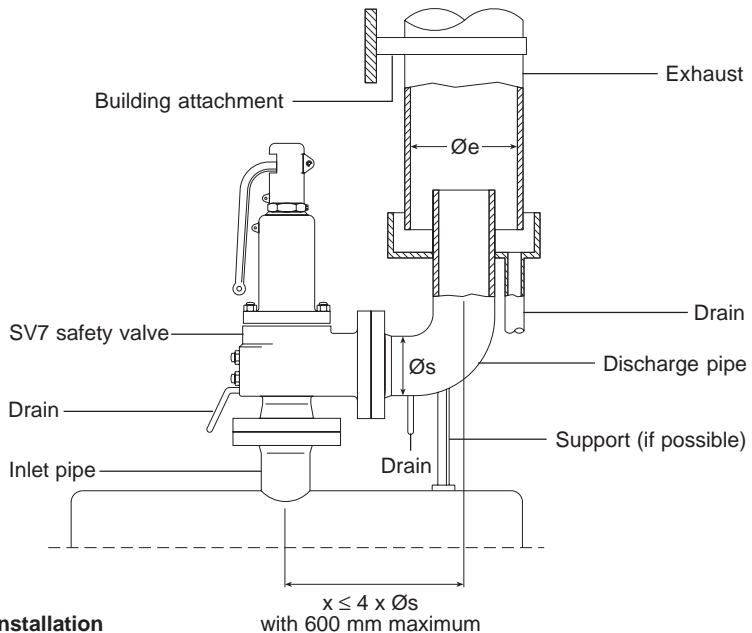


Fig. 5 Typical installation

7. Damage prevention

Excessive pressure loss at the inlet of a safety valve when it operates will cause extremely rapid opening and closing of the valve, observed as chattering or hammering. This may result in reduced capacity as well as damage to seating faces and the other parts of the valve.

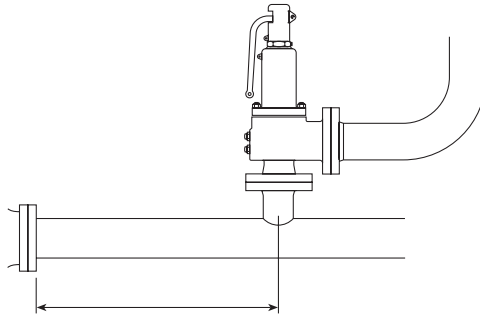
When normal pressure is restored it is possible that the valve will leak.

7.1 Solution

Pressure loss at inlet should be no more than 3% of pressure differential between set pressure and superimposed back pressure when discharging.

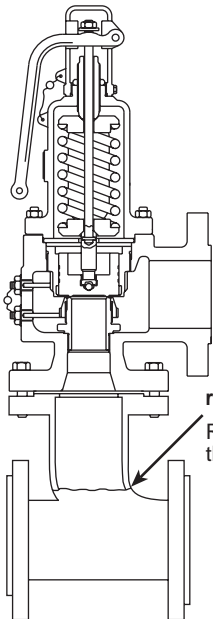
The valve should be fitted 8-10 pipe diameters downstream of converging or diverging fittings or bends (Figure 6).

Inlet branches should be as Figures 7 and 8.



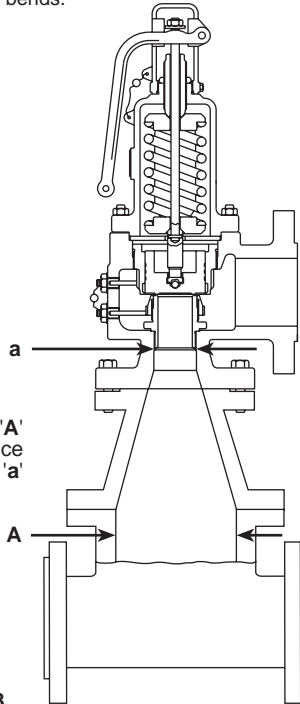
8 - 10 pipe diameters downstream of converging 'Y' fittings or bends.

Fig. 6



Radius 'r' not less than inlet diameter

Fig. 7



Inlet area 'A' approximately twice that of area 'a'

Fig. 8

8. Commissioning

- 7.1 Once the valve has been fitted check that there are no leaks from either the inlet or the outlet connections.
- 7.2 Test the set pressure of the valve by raising the system pressure. Ensure that the valve operates correctly at its specified set pressure as indicated on the name-plate.
- 7.3 Check that the overpressure is limited to 3% of the safety valve set pressure (ASME I applications) or 10% (ASME VIII applications).
- 7.4 Reduce the system pressure to the normal operating pressure and check that the safety valve reseats.

9. Testing during use

It is recommended that the safety valve be tested for correct operation at least once every six months*, as outlined in 'Commissioning', Section 7, or by manual lifting when the operating pressure is no more than 85% of the safety valve set pressure.

* **Note:** Use suitable protection against excess heat and noise when testing safety valves. The period between safety valve tests is to be agreed by a responsible person or insurance company.
(Check local requirements for frequency of testing).

10. Maintenance

All safety valves should receive planned maintenance.

Note: Before actioning any maintenance work please read 'Safety information', Section 1.

SV7 safety valves are 100% tested and then sealed to prevent unauthorised adjustment or repair. Valves should be inspected regularly to assure continued safe operation and long service life. A visual inspection is recommended at two month intervals while in service, followed by a complete pressure test at least once a year.

The SV7 can be operated manually by means of the test lever when the system pressure is at least 85% of the set pressure, or the system pressure may be carefully increased until the valve operates.

Any valve that fails to open within 103% (ASME I) or 110% (ASME VIII) of the name-plate set pressure or fails to open or close properly must be removed for replacement or repair. Never attempt to stop leakage by compressing the spring or gagging the valve!

For resetting, adjustments or repairs contact Spirax Sarco for the name of competent, authorised personnel who are familiar with the servicing of our safety valves.