

# HX06 SERIES

Detect Belt Loss, Coupling Shear, and Mechanical Failure



Hawkeye x06 Series solid- and split-core current switches provide accurate, reliable, and maintenance-free fan and pump status indication where an NC output is needed.

## SPECIFICATIONS

Sensor Power	5 to 30 Vdc
Insulation Class	600 Vac RMS (UL), 300 Vac RMS (CE <sup>1</sup> )
Temperature Range	-15 to 60 °C (5 to 140 °F)
Humidity Range	10 to 90% RH non-condensing
Hysteresis	10% Typical
Off State Leakage	34 µA @ 5 Vdc, 200 µA @ 30 Vdc
On State Voltage Drop	1.9 Vdc max@ 0.1 A
Terminal Block Wire Size	H300: 22 to 16 AWG (0.3 to 1.3 mm <sup>2</sup> ) Others: 24 to 14 AWG (0.2 to 2.1 mm <sup>2</sup> )
Terminal Block Torque	H300: 7 in-lbs (0.8 N-m) Others: 3.5 to 4.4 in-lbs (0.4 to 0.5 N-m)

## WARRANTY

Limited Warranty	5 years
------------------	---------

## AGENCY APPROVALS

Agency Approvals	UL 508 open device listing; CE: EN61010-1, CAT III, Pollution Degree 2, basic insulation
------------------	--



## Adjustable trip point

Versatility with four available amperage ranges

## No tubing needed

Easier to install than differential pressure switches

## 100% solid-state

No moving parts to fail

## APPLICATIONS

- Monitoring fans, pumps, motors, and other electrical loads for proper operation
- Detecting belt loss and motor failure...ideal for fan and pump status
- Verifying lighting circuit loads
- Monitoring critical motors (compressor, fuel, etc.)
- Monitoring industrial process equipment status (OEM)

## Status LEDs

Output status LEDs for fast set up

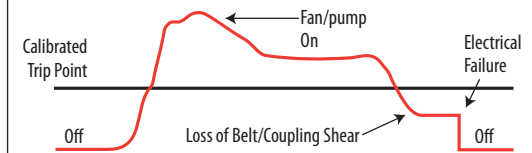
## Easy placement

Adjustable mounting bracket on the solid-core housing

## Self-gripping iris

Self-gripping iris on split-core housings for easy installation

### DETECTS BELT LOSS/COUPLING SHEAR!



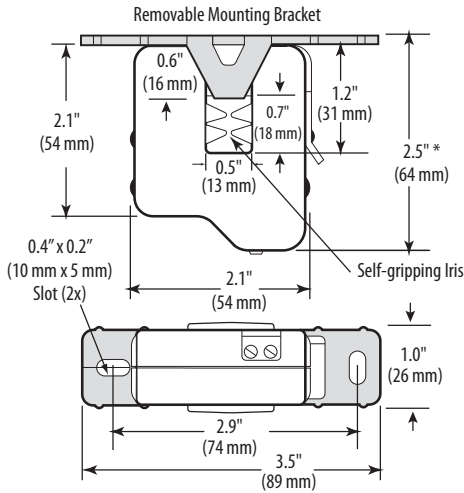
Now you can easily detect when drive belts slip, break, or pump couplings shear. In fact, a typical HVAC motor that loses its load has a reduction of current draw of up to 50%. That's why our sensors are the industry standard for status.

1. The CE mark indicates RoHS2 compliance. Please refer to the CE Declaration of Conformity for additional details.

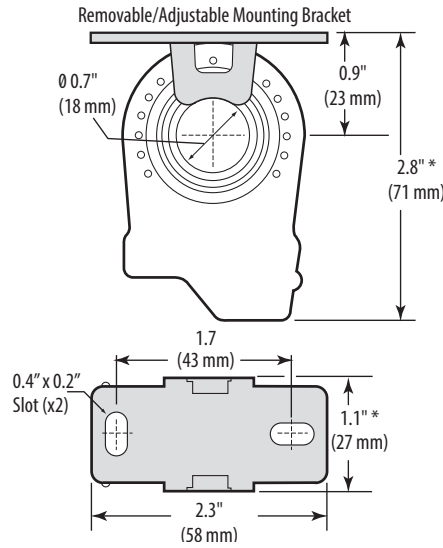
Note: Do not use the LED status indicators as evidence of applied voltage. (a) VFD systems generate fields that can disrupt electrical devices. Ensure that these fields are minimized and are not affecting the sensor.



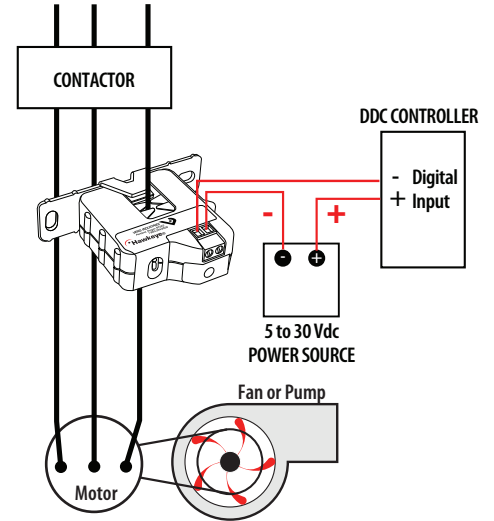
**H606**  
Dimensional Drawing



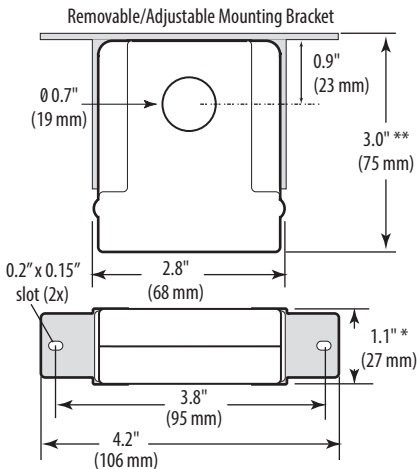
**H806**  
Dimensional Drawing



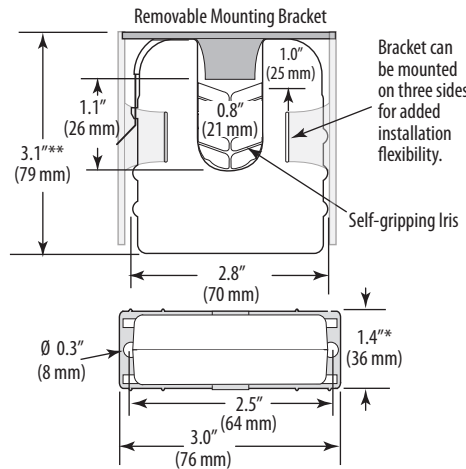
**MONITORING FAN/PUMP MOTORS FOR POSITIVE PROOF OF FLOW (H606 & H806)**  
Wiring Diagram



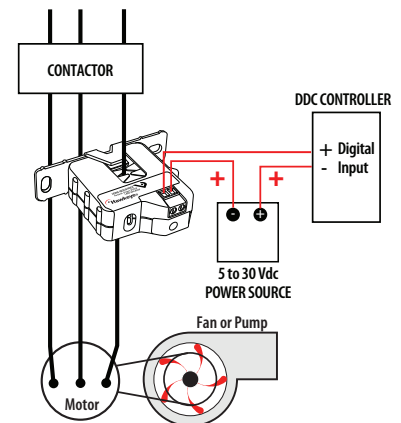
**H706**  
Dimensional Drawing



**H906**  
Dimensional Drawing



**MONITORING FAN/PUMP MOTORS FOR POSITIVE PROOF OF FLOW (H706 & H906)**  
Wiring Diagram



\* Terminal block may extend up to 1/8" over the height dimensions shown.  
\*\* Slide switch may extend up to 1/4" over the height dimensions shown.

**ORDERING INFORMATION**

MODEL	AMPERAGE RANGE	STATUS OUTPUT (MAX.)	MIN. TRIP POINT	HOUSING	STATUS LED	UL	CE
H606	1.25 to 50 A	N.C. 0.1 A @ 30 Vdc	1.25 A or less	Split-Core	•	• <sup>1</sup>	•
H706	1 to 135 A		1.0 A or less	Solid-Core	•	•	•
H806	0.75 to 50 A		0.75 A or less	Solid-Core	•	•	•
H906	2.5 to 135 A		2.5 A or less	Split-Core	•	•	•

1. Listed for use on 75°C insulated conductors.